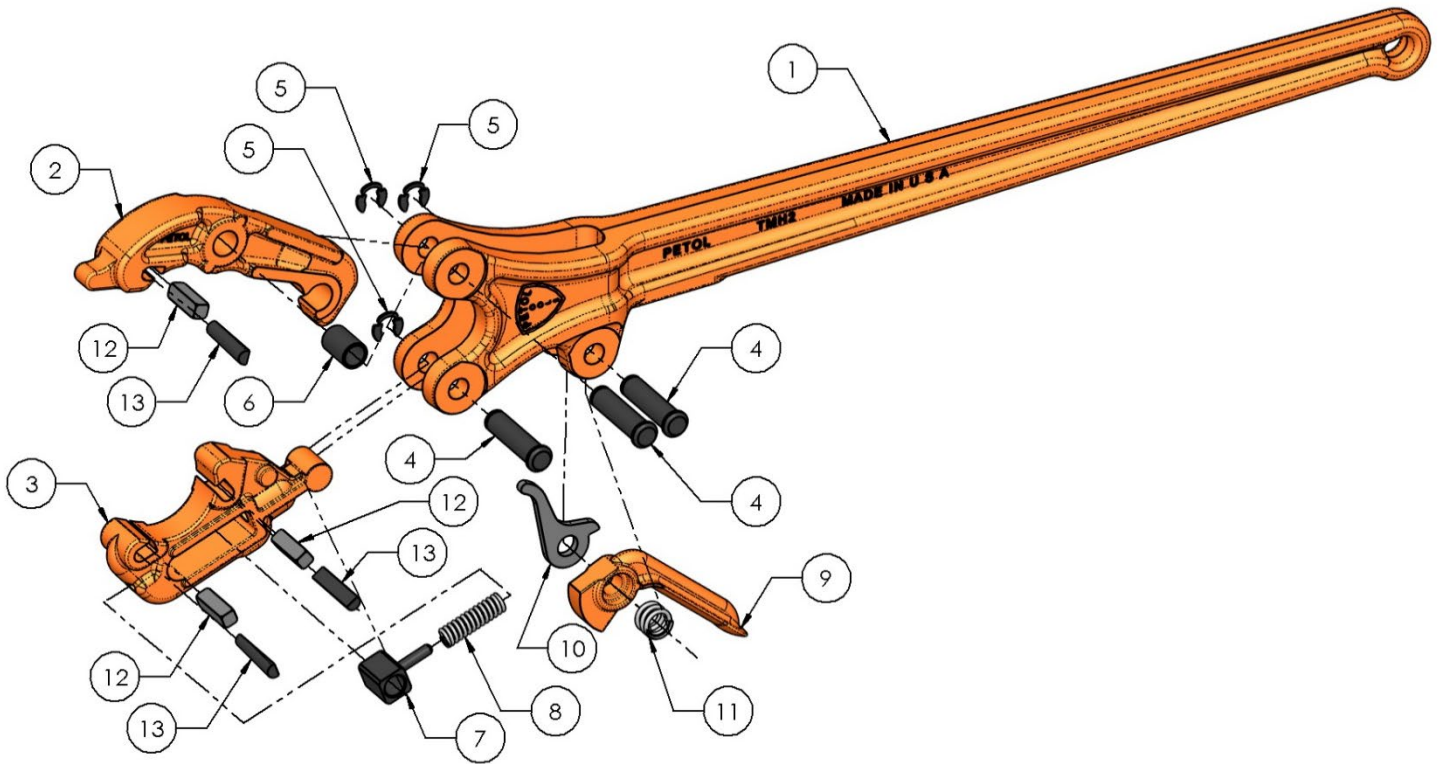


PETOL™ TUBING TONG – MEDIUM HEAVY DUTY – TMA2002375 Parts List



| Item | Qty. | Part Number | Description |
|------|------|-------------|--|
| 1 | 1 | TMH2 | Handle |
| 2 | 1 | TMU2002375 | Upper jaw with bit and wedge |
| 3 | 1 | TML2002375 | Lower jaw with bits and wedges |
| 4 | 3 | HP005 | Pin with klipring (for upper jaw, lower jaw and cam lever) |
| 5 | 3 | HXKR050 | Klipring only (for HP005) |
| 6 | 1 | HU09 | Upper jaw bushing |
| 7 | 1 | HU19 | Lower jaw bushing |
| 8 | 1 | HS03 | Lower jaw spring |
| 9 | 1 | TCL2 | Cam lever |
| 10 | 1 | TCP2 | Cam pawl |
| 11 | 1 | HS02 | Cam lever spring |
| 12 | 3 | HT6 | Replacement Bit |
| 13 | 3 | HW6 | Replacement Wedge |



4450 S. Hwy. 6 | P.O. Box 192
 Clifton, TX 76634 | USA
www.PETOL.com

sales@petol.com | 254.675.8651