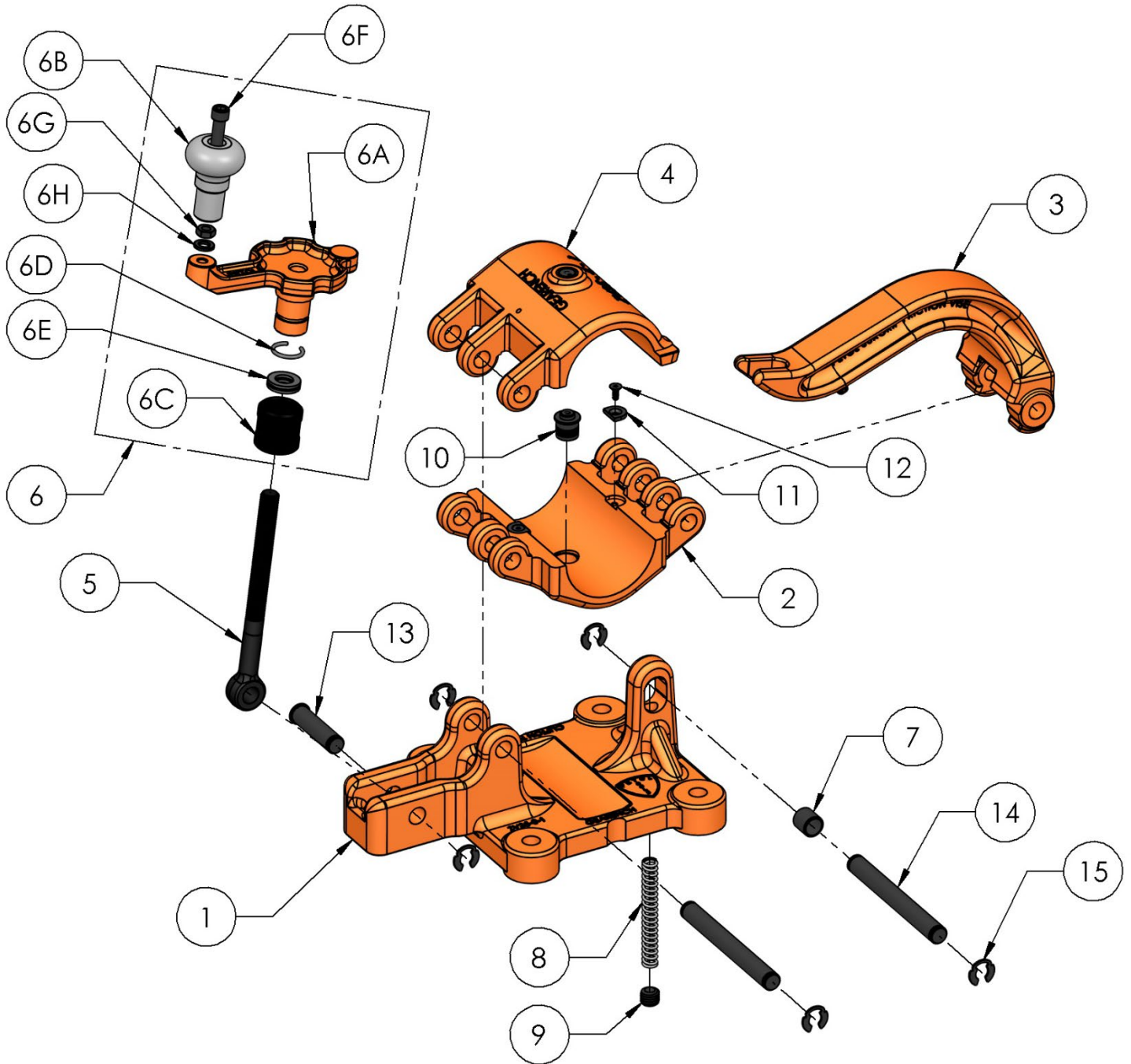


PETOL™ SURGRIP™ FRICTION VISE – ZV35-54 Parts List



4450 S. Hwy. 6 | P.O. Box 192
Clifton, TX 76634 | USA
www.PETOL.com

sales@petol.com | 254.675.8651

PETOL™ SURGRIP™ FRICTION VISE – ZV35-54 Parts List

Item	Qty.	Part Number	Description
1	1	ZV35-0-1	Base
2	1	ZV35-4-2	Lower jaw
3	1	ZV35-6-00	Clamping arm (standard)
3	1	ZV35-6-60	Clamping arm (0.060" oversize)
3	1	ZV35-6-120	Clamping arm (0.120" oversize)
4	1	ZV35-4-1	Upper jaw
5	1	ZV35-9-78	Clamping screw
6	1	ZV55-5-4A	Bearing nut assembly
6A	1	ZV55-5-40	Bearing nut handle only
6B	1	ZV35-5-21	Bearing nut handle grip only
6C	1	ZV35-5-27	Bearing nut sleeve only
6D	1	ZV35-5-28	Bearing nut clip ring only
6E	1	ZV35-5-29R	Bearing nut thrust bearing only
6F	1	HB53	Bearing nut bolt only
6G	1	HXN020	Bearing nut jam nut only
6H	1	HXW006	Bearing nut lock washer only
7	1	HU50	Bushing
8	1	HS07	Spring
9	1	ZV35-0-4	Set screw
10	2	ZV35-8	Vise bushing plunger
11	4	ZV35-10-1	Vise bushing key
12	4	ZV35-10-2	Vise bushing key screw
13	1	HP007	Clamping screw pin with klipring
14	2	HP030	Jaw and clamping arm pins with kliprings
15	5	HXKR062	Klipring only



4450 S. Hwy. 6 | P.O. Box 192
 Clifton, TX 76634 | USA
www.PETOL.com

sales@petol.com | 254.675.8651