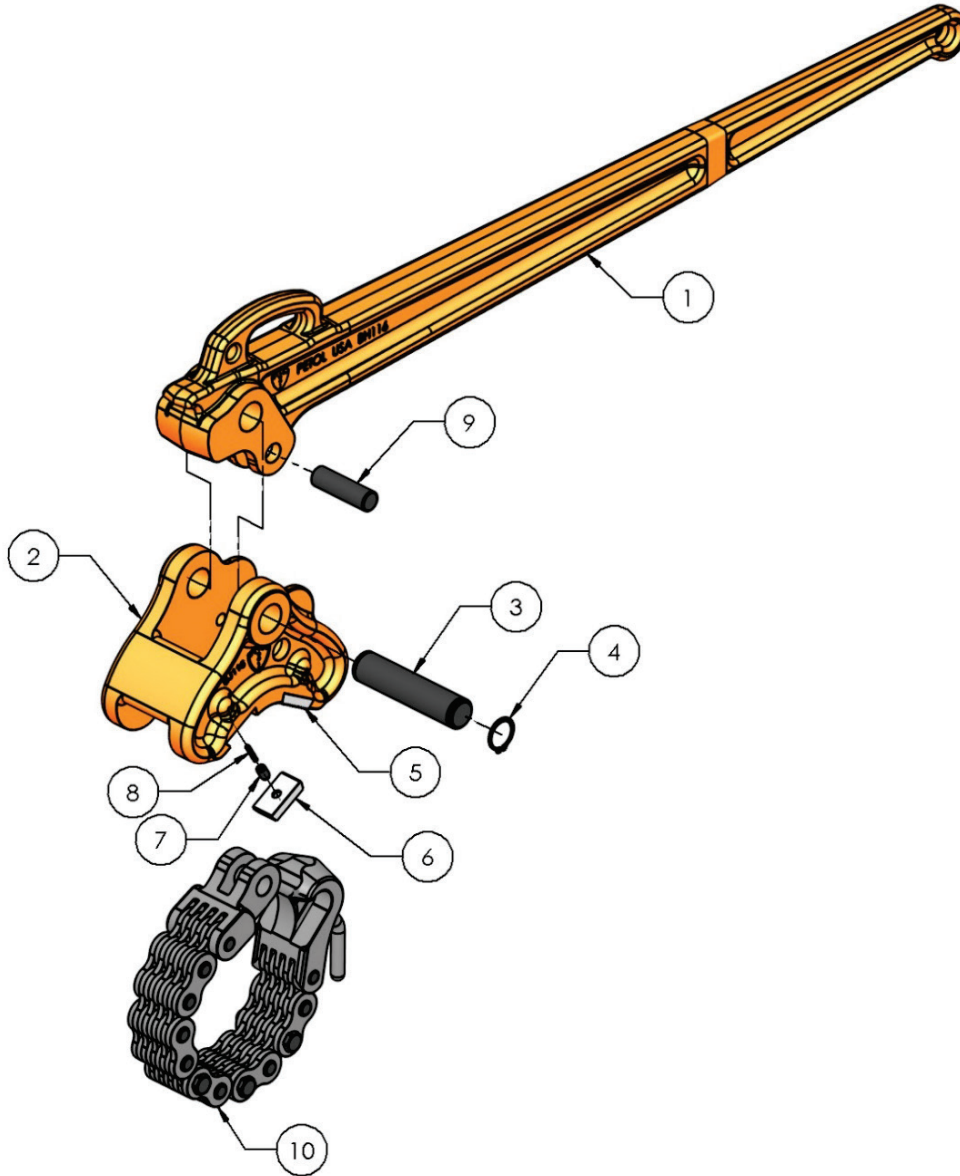


PETOL™ BUKUP TONG™ - BA116H Parts List



| Item | Qty. | Part Number | Description |
|------|------|-------------|--|
| 1 | 1 | BH116H | Handle |
| 2 | 1 | BJ116H | Jaw |
| 3 | 1 | HP249 | Jaw-handle pin with retaining ring |
| 4 | 1 | HXRR150 | Jaw-handle retaining ring only |
| 5 | 4 | HI04D | Diamond point insert (standard) |
| 5 | 4 | HI04K | Knurled insert (optional) |
| 6 | 2 | HI04B | Blank insert (standard) |
| 7 | 4 | HP903 | Insert key |
| 8 | 4 | HS20S | Insert key spring |
| 9 | 1 | HP234 | Master link – handle pin |
| 10 | 1 | * | Chain assembly (see next page for parts) |

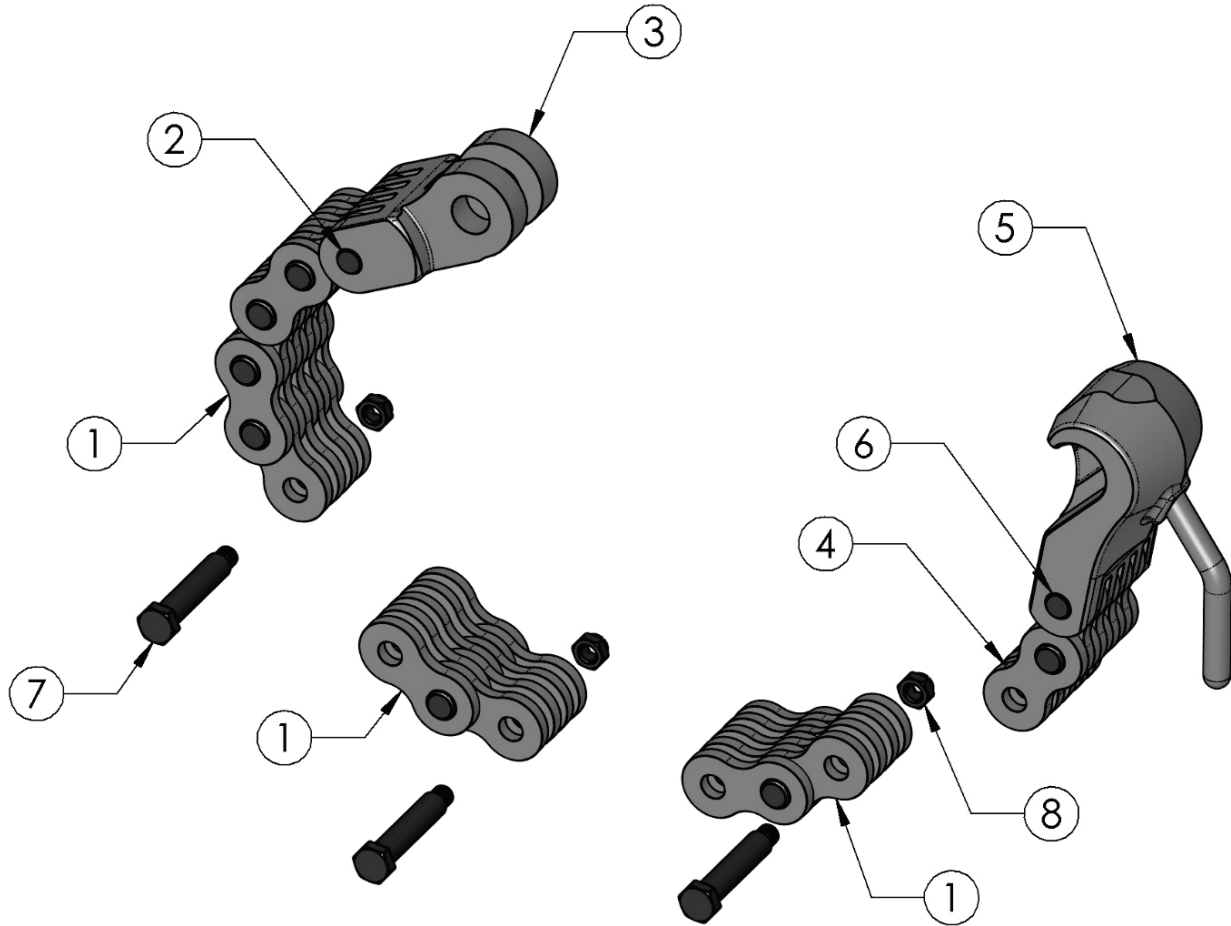
*See Chain Guide on product web page



4450 S. Hwy. 6 | P.O. Box 192
Clifton, TX 76634 | USA
www.PETOL.com

sales@petol.com | 254.675.8651

PETOL™ BUKUP TONG™ - BA116H Parts List



| Item | Part No. | Description |
|------|----------------|---------------------------|
| 1 | 161-45-02 | Special chain only |
| 1 | 161-45-04 | Special chain only |
| 1 | 161-45-05 | Special chain only |
| 1 | 161-45-06 | Special chain only |
| 2 | HP247 | Master link – chain rivet |
| 3 | HM06-45 | Master link |
| 4 | 161-45-02-4500 | Chain hook assembly |
| 4 | 161-45-02-5375 | Chain hook assembly |
| 4 | 161-45-02-6250 | Chain hook assembly |
| 5 | HC01-45-4500 | Chain hook only |
| 5 | HC01-45-5375 | Chain hook only |
| 5 | HC01-45-6250 | Chain hook only |
| 6 | HP247 | Chain hook rivet |
| 7 | HB52 | Splice bolt with nut |
| 8 | HXN016 | Splice bolt nut only |



4450 S. Hwy. 6 | P.O. Box 192
 Clifton, TX 76634 | USA
www.PETOL.com

sales@petol.com | 254.675.8651