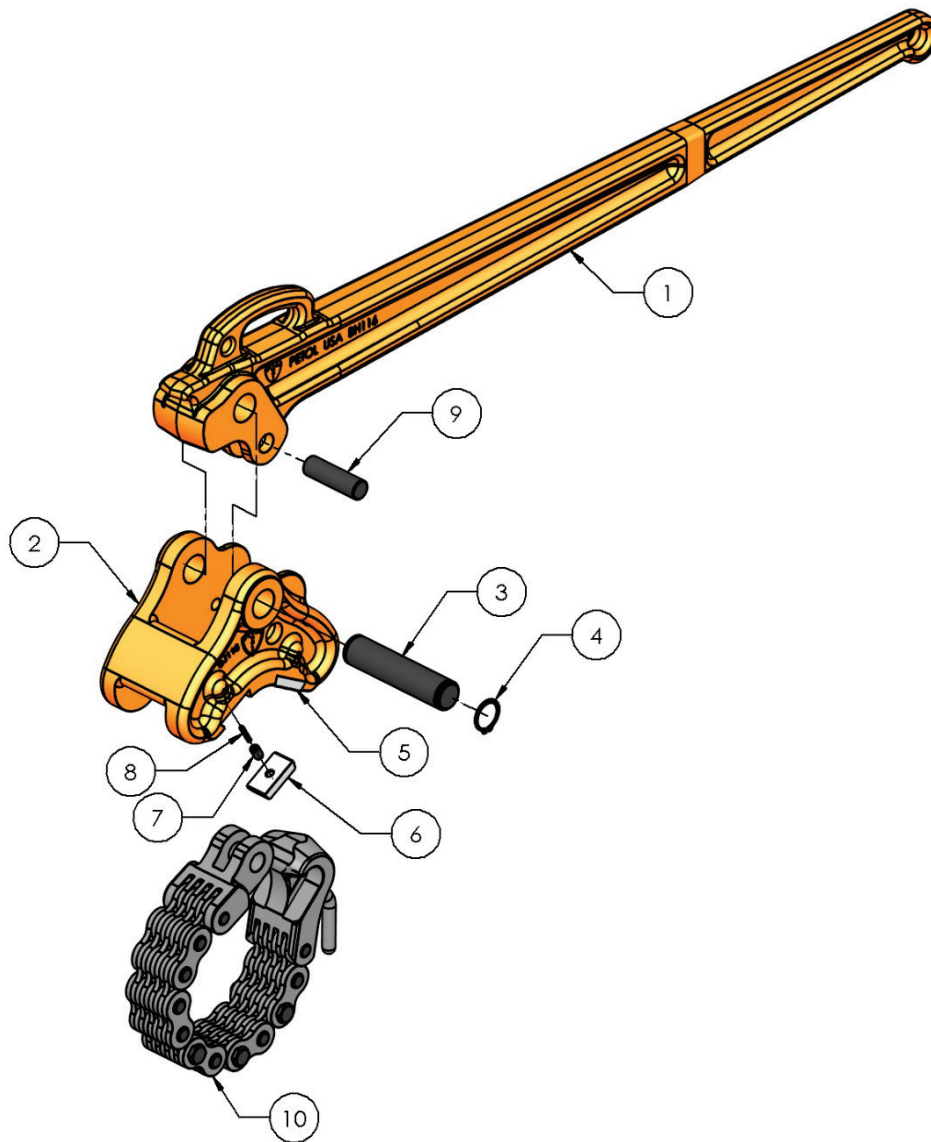


PETOL™ BUKUP TONG™ - BA116 Parts List



Item	Qty.	Part Number	Description
1	1	BH116	Handle
2	1	BJ116	Jaw
3	1	HP249	Jaw-handle pin with retaining ring
4	1	HXRR150	Jaw-handle retaining ring only
5	4	HI04D	Diamond point insert (standard)
5	4	HI04K	Knurled insert (optional)
6	2	HI04B	Blank insert (standard)
7	4	HP903	Insert key
8	4	HS20S	Insert key spring
9	1	HP234	Master link – handle pin
10	1	*	Chain assembly (see next page for parts)

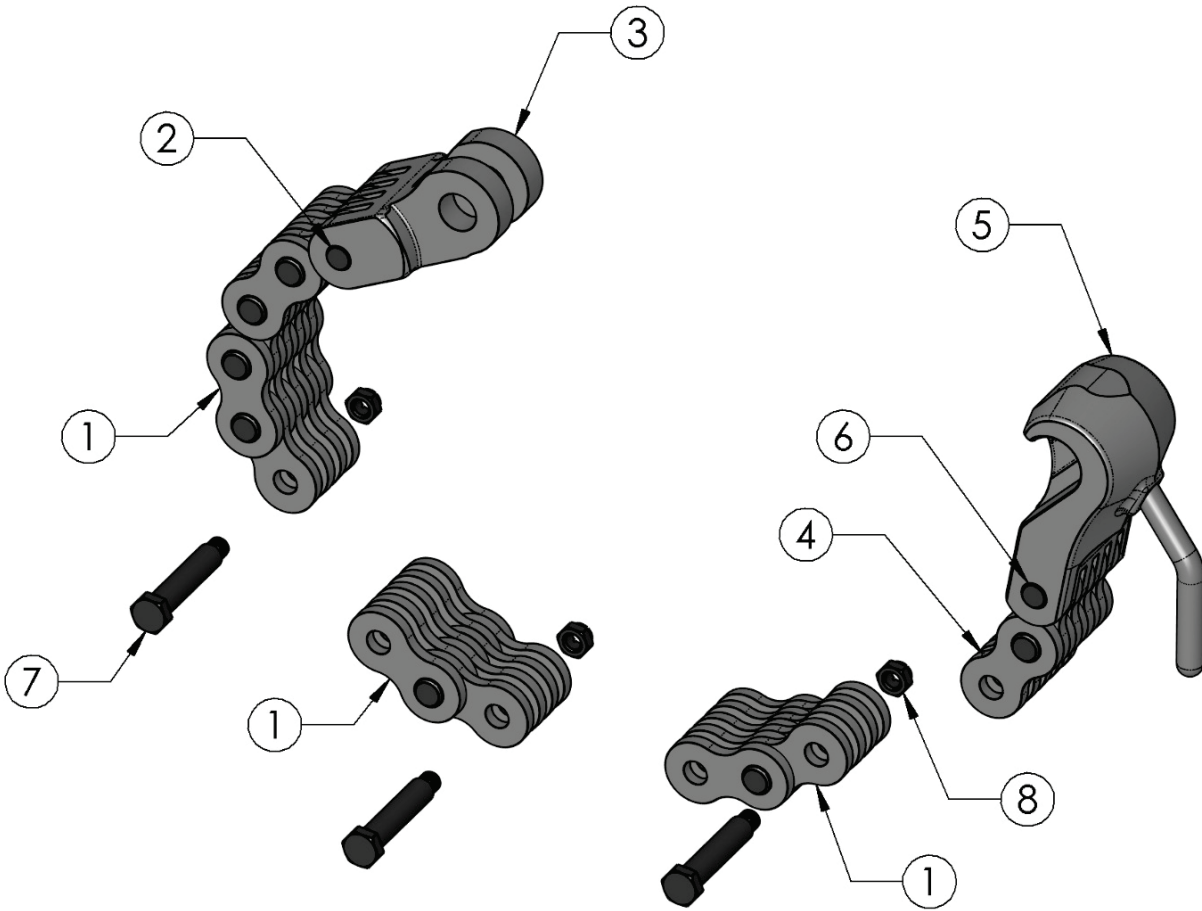
*See Chain Guide on product web page



4450 S. Hwy. 6 | P.O. Box 192
Clifton, TX 76634 | USA
www.PETOL.com

sales@petol.com | 254.675.8651

PETOL™ BUKUP TONG™ - BA116 Parts List



Item	Part No.	Description
1	161-45-02	Special chain only
1	161-45-04	Special chain only
1	161-45-05	Special chain only
1	161-45-06	Special chain only
2	HP247	Master link – chain rivet
3	HM06-45	Master link
4	161-45-02-4500	Chain hook assembly
4	161-45-02-5375	Chain hook assembly
4	161-45-02-6250	Chain hook assembly
5	HC01-45-4500	Chain hook only
5	HC01-45-5375	Chain hook only
5	HC01-45-6250	Chain hook only
6	HP247	Chain hook rivet
7	HB52	Splice bolt with nut
8	HXN016	Splice bolt nut only



4450 S. Hwy. 6 | P.O. Box 192
 Clifton, TX 76634 | USA
www.PETOL.com

sales@petol.com | 254.675.8651