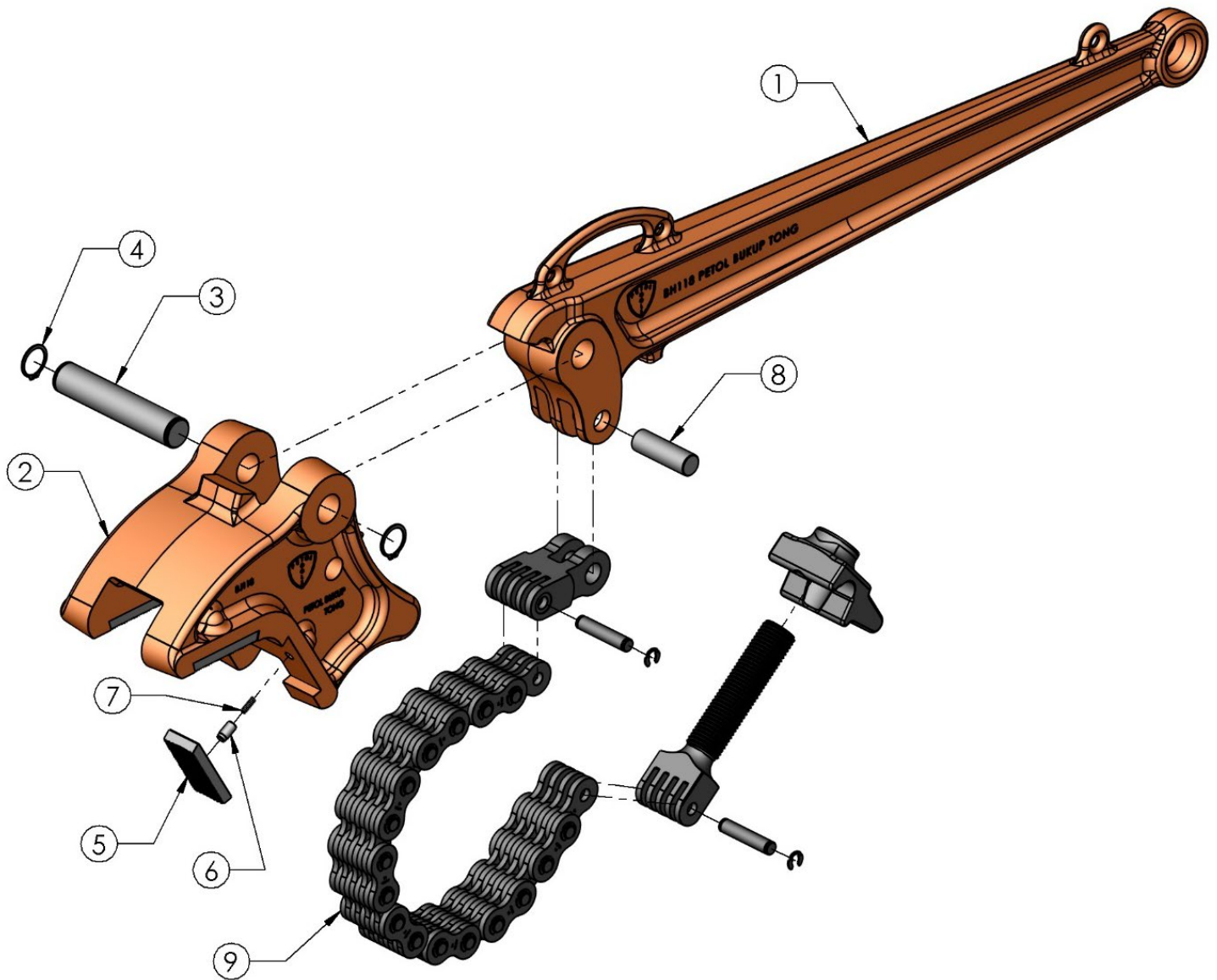


# PETOL™ BUKUP TONG™ - BA118 Parts List



Item	Qty.	Part Number	Description
1	1	BH118	Handle
2	1	BJ118	Jaw
3	1	HP048	Jaw-handle pin with retaining ring
4	1	HXRR175	Jaw-handle retaining ring only
5	4	HI10D	Diamond point insert
6	4	HP904	Insert key
7	4	HS21	Insert key spring
8	1	HP046	Master link – handle pin
9	1	*	Chain assembly (see next page for parts)

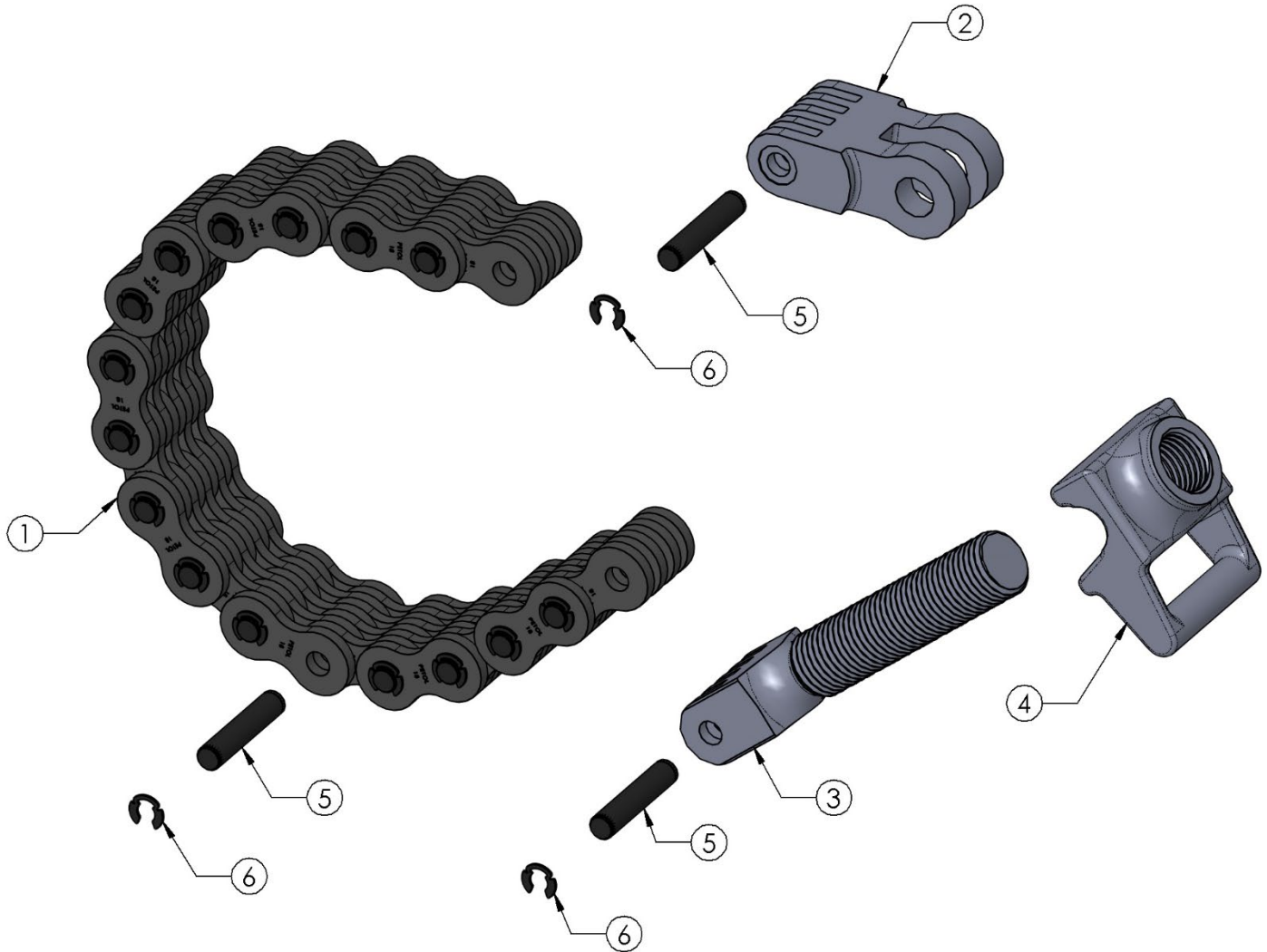
\*See Chain Guide on product web page



4450 S. Hwy. 6 | P.O. Box 192  
 Clifton, TX 76634 | USA  
[www.PETOL.com](http://www.PETOL.com)

[sales@petol.com](mailto:sales@petol.com) | 254.675.8651

# PETOL™ BUKUP TONG™ - BA118 Parts List



Item	Part No.	Description
1	181-45-02	Special chain only
1	181-45-03	Special chain only
1	181-45-04	Special chain only
1	181-45-05	Special chain only
1	181-45-07	Special chain only
1	181-45-08	Special chain only
1	181-45-09	Special chain only
1	181-45-10	Special chain only
2	HM11-45	Master link
3	HV10-45	Chain screw
4	HN10	Chain screw nut
5	HP327	Chain pin with kliprings
6	HXKR075	Chain pin klipring only



4450 S. Hwy. 6 | P.O. Box 192  
Clifton, TX 76634 | USA  
[www.PETOL.com](http://www.PETOL.com)

[sales@petol.com](mailto:sales@petol.com) | 254.675.8651