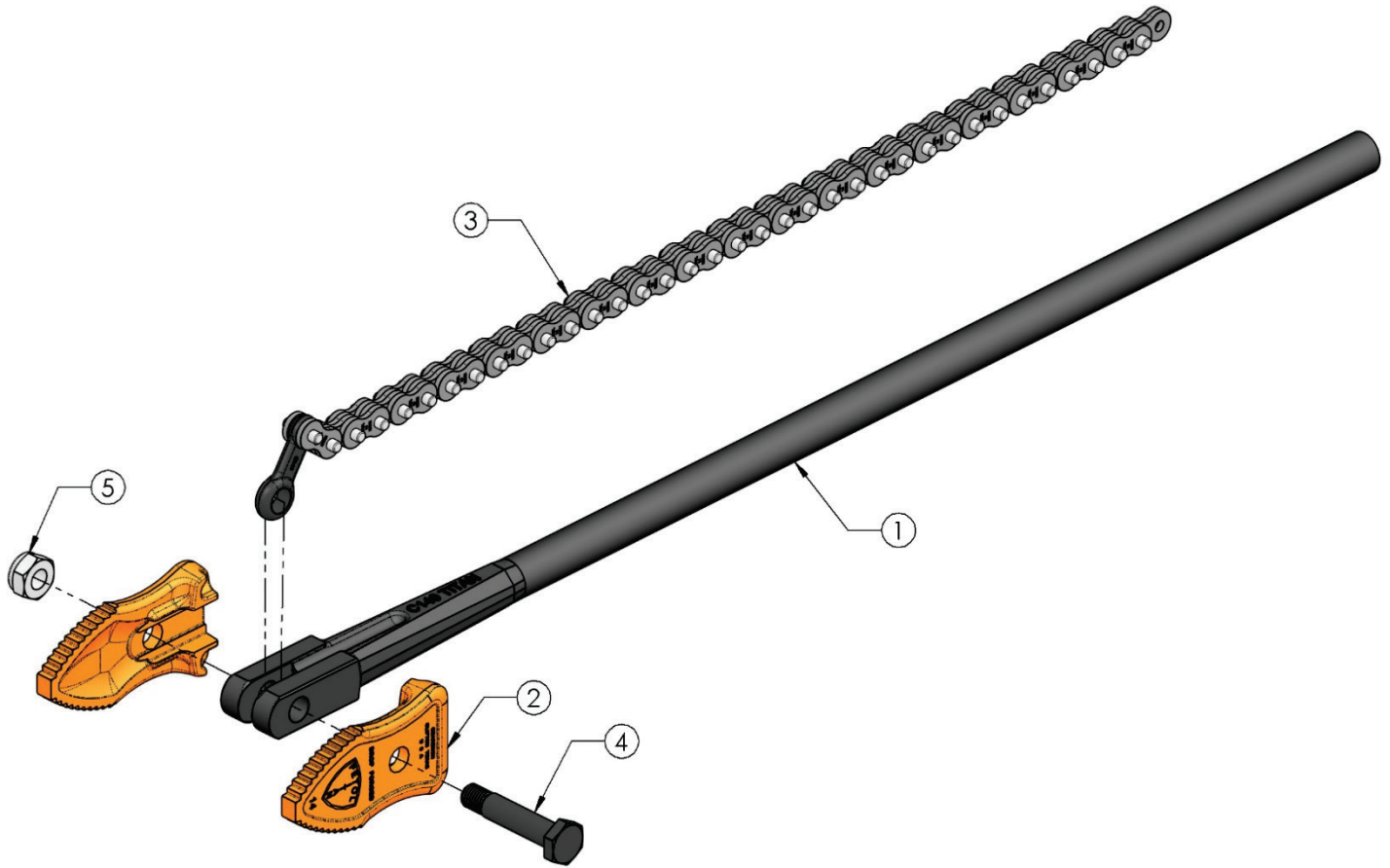


# PETOL™ -TITAN™ CHAIN TONG – C14-P Parts List



Item	Qty.	Part Number	Description
1	1	C140	Handle
2	1	C141	Jaws (pair)
3	1	*	Chain assembly with master link
4	1	HB26	Bolt with nut
5	1	HXN040	Nut only

\*See Replacement Chain Guides on product web page



4450 S. Hwy. 6 | P.O. Box 192  
Clifton, TX 76634 | USA  
[www.PETOL.com](http://www.PETOL.com)

[sales@petol.com](mailto:sales@petol.com) | 254.675.8651