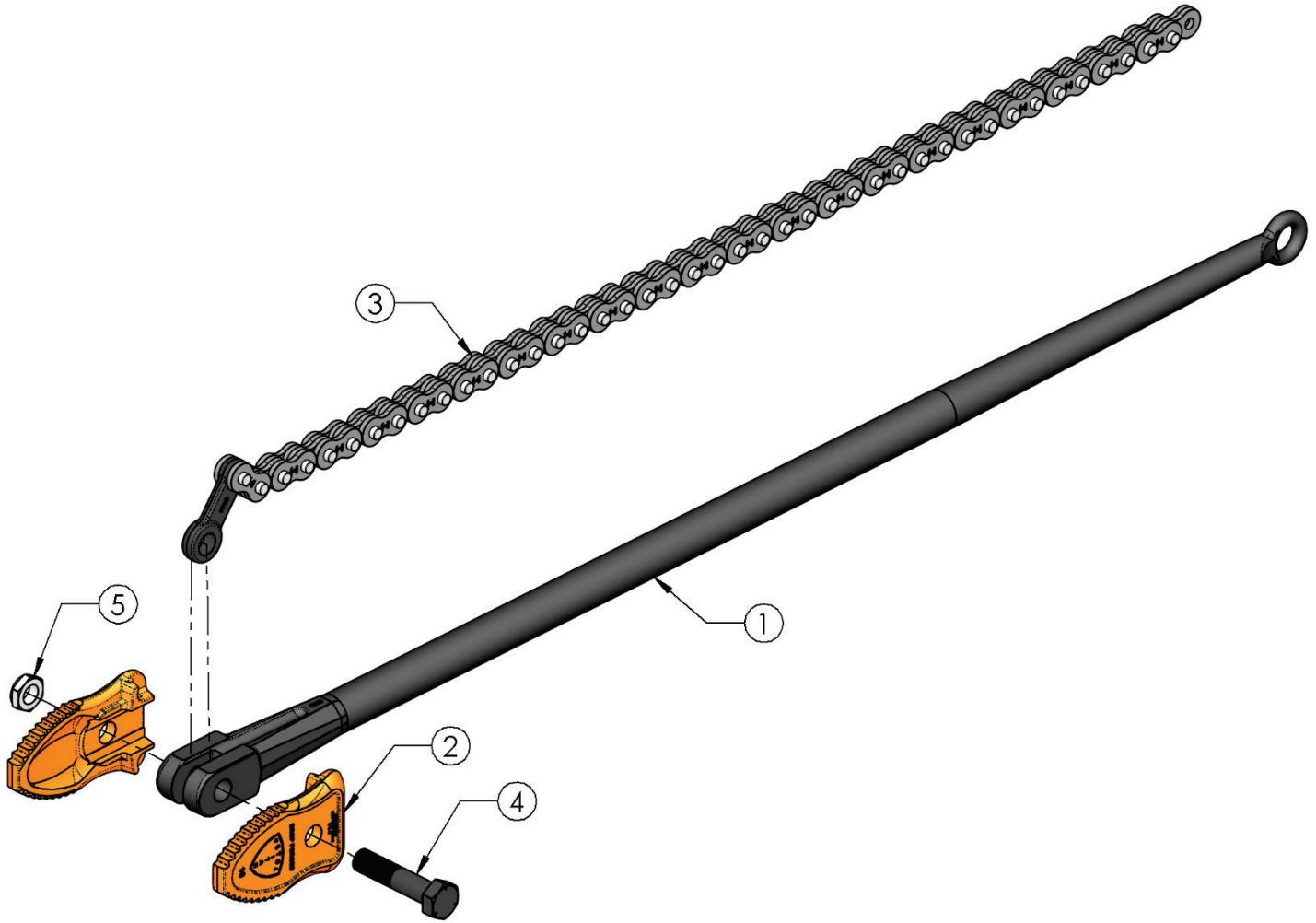


PETOL™ -TITAN™ CHAIN TONG – C16-P Parts List



Item	Qty.	Part Number	Description
1	1	C160	Handle
2	1	C161	Jaws (pair)
3	1	*	Chain assembly with master link
4	1	HB28	Bolt with nut
5	1	HXN036	Nut only

*See Replacement Chain Guides on product web page



4450 S. Hwy. 6 | P.O. Box 192
Clifton, TX 76634 | USA
www.PETOL.com

sales@petol.com | 254.675.8651