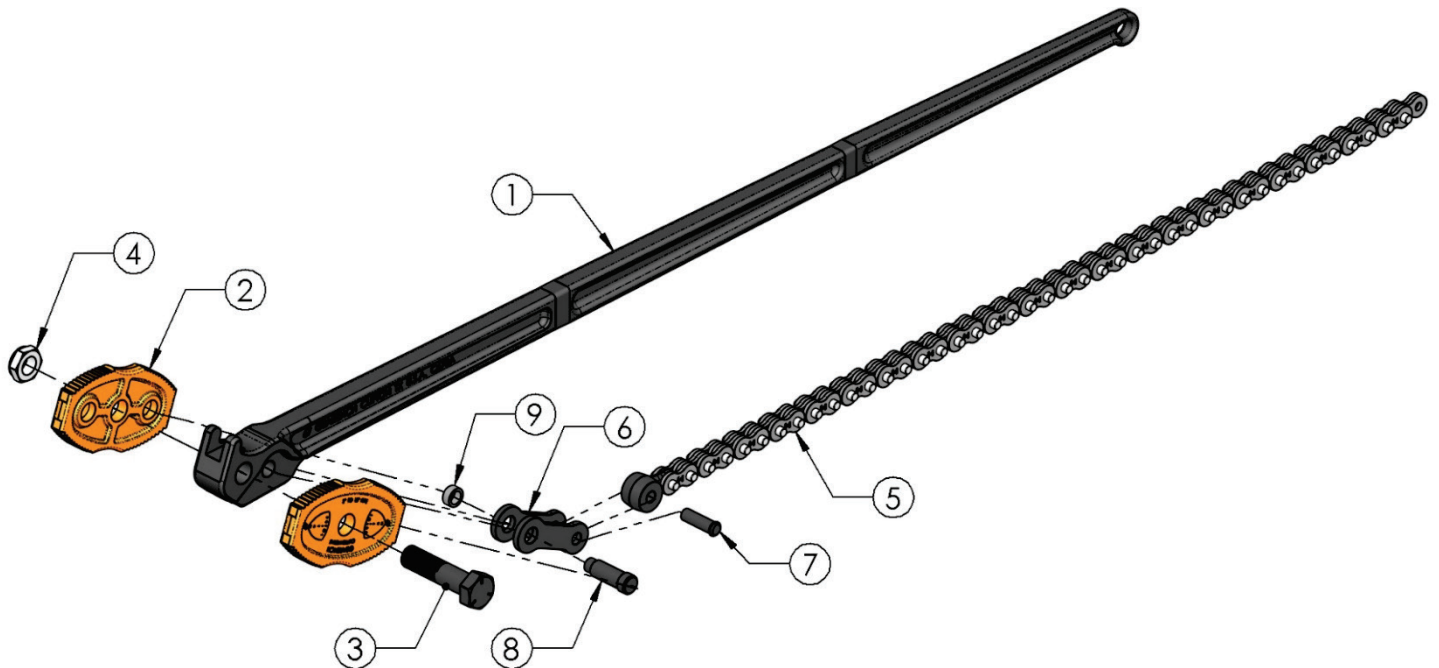


PETOL™ -TITAN™ REVERSIBLE CHAIN TONG – C67-P Parts List



| Item | Qty. | Part Number | Description |
|------|------|-------------|----------------------------------|
| 1 | 1 | C670 | Handle |
| 2 | 1 | C671 | Jaws (pair) |
| 3 | 1 | HB32 | Jaw – handle bolt with nut |
| 4 | 1 | HXN035 | Nut only |
| 5 | 1 | * | Chain assembly with master link |
| 6 | 2 | C677 | Stirrup link |
| 7 | 1 | HP320 | Stirrup link – master link rivet |
| 8 | 1 | HP315 | Stirrup link – handle pin |
| 9 | 1 | HU55 | Stirrup link – handle bushing |

*See Replacement Chain Guides on product web page



4450 S. Hwy. 6 | P.O. Box 192
Clifton, TX 76634 | USA
www.PETOL.com

sales@petol.com | 254.675.8651