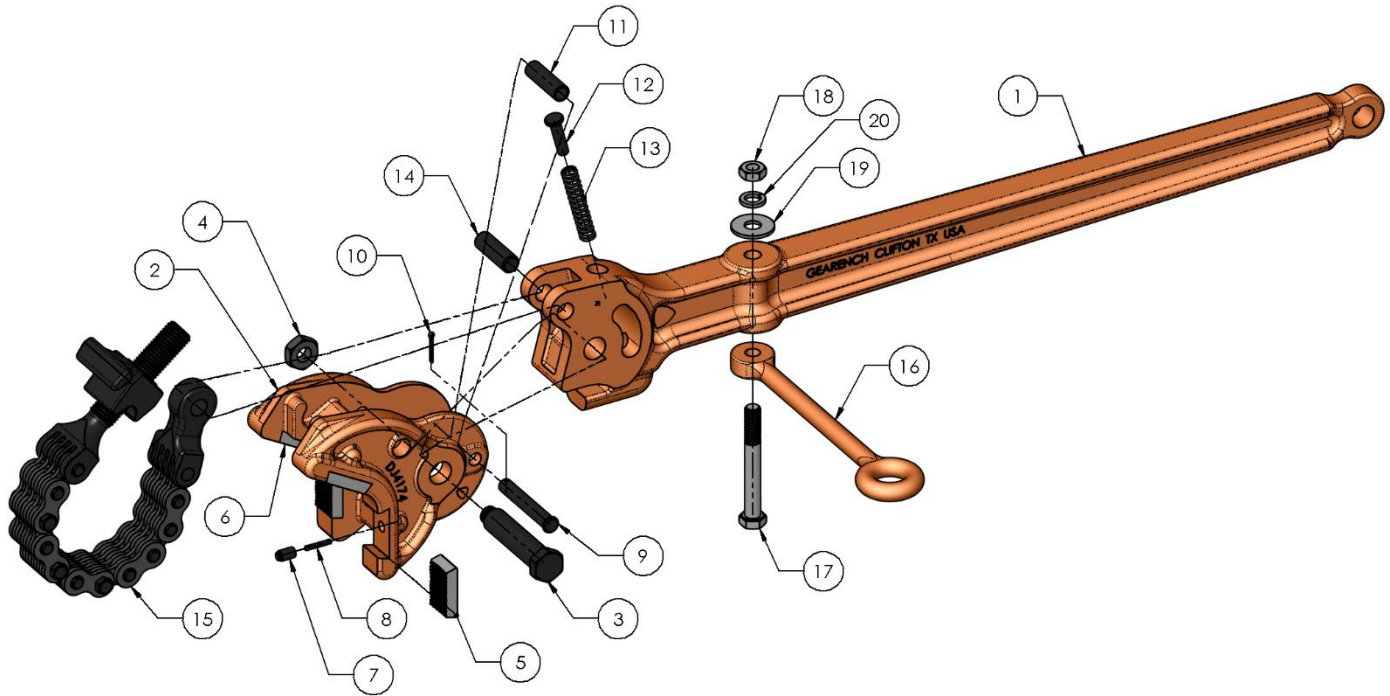


PETOL™ DRILL PIPE TONG™ - DA4174-L36 Parts List



Item	Qty	Part Number	Description
1	1	DH4174-L36	Handle
2	1	DJ4174	Jaw
3	1	HB35	Jaw – handle bolt with nut
4	1	HXN003	Jaw bolt nut only
5	2	HI04D*	Diamond point insert (standard)
5	2	HI04K*	Knurled insert (optional)
6	2	HI04B	Blank insert (standard)
7	4	HP903	Insert key
8	4	HS20S	Insert key spring
9	1	HP238	Spring pin with cotter
10	1	HXC002	Spring pin cotter only
11	1	HU40	Spring bushing
12	1	HG13	Spring guide
13	1	HS19	Spring
14	1	HP235	Master link – handle pin
15	1	**	Chain assembly (see next page for parts)
16	1	HH15	Hanger
17	1	HB33	Hanger bolt with nut
18	1	HXN022	Hanger bolt nut only
19	1	HXW003	Hanger flat washer
20	1	HXW004	Hanger lock washer

*4 Diamond Point or 4 Knurled inserts are required to grip 3" – 3-3/4" O.D.

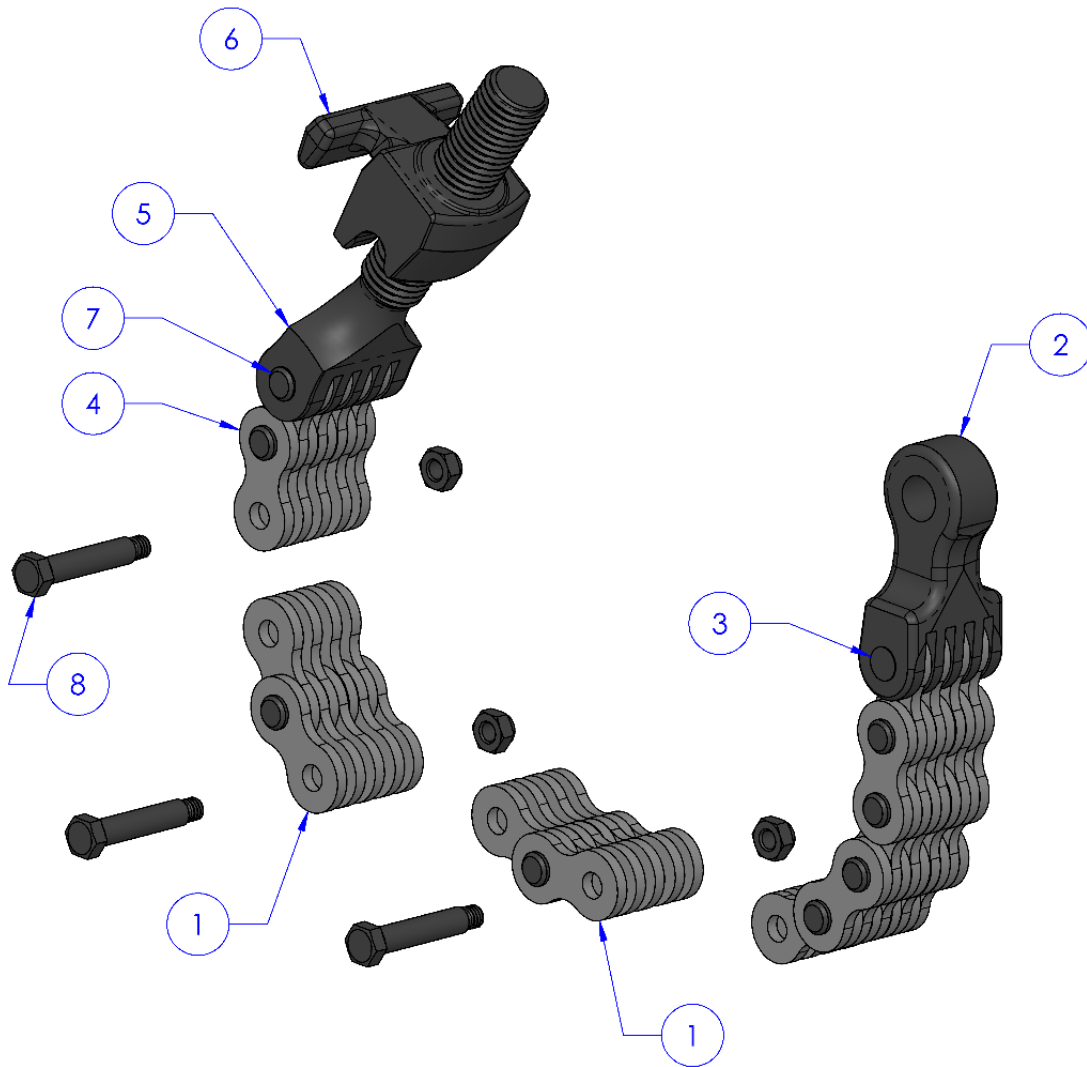
**See Chain Guide on product web page



4450 S. Hwy. 6 | P.O. Box 192
Clifton, TX 76634 | USA
www.PETOL.com

sales@petol.com | 254.675.8651

PETOL™ DRILL PIPE TONG™ - DA4174-L36 Parts List



Item	Part Number	Description
1	151-45-02	Special chain only
1	151-45-04	Special chain only
1	151-45-05	Special chain only
2	HM01-45	Master link
3	HP237	Master link – chain pin
4	151-45-02-HV02	Chain screw assembly
5	HV02-45	Chain screw only
6	HN01	Chain screw nut only
7	HP236	Chain screw – chain pin
8	HB48	Splice bolt and nut
8	HXN015	Splice bolt nut only



4450 S. Hwy. 6 | P.O. Box 192
Clifton, TX 76634 | USA
www.PETOL.com

sales@petol.com | 254.675.8651