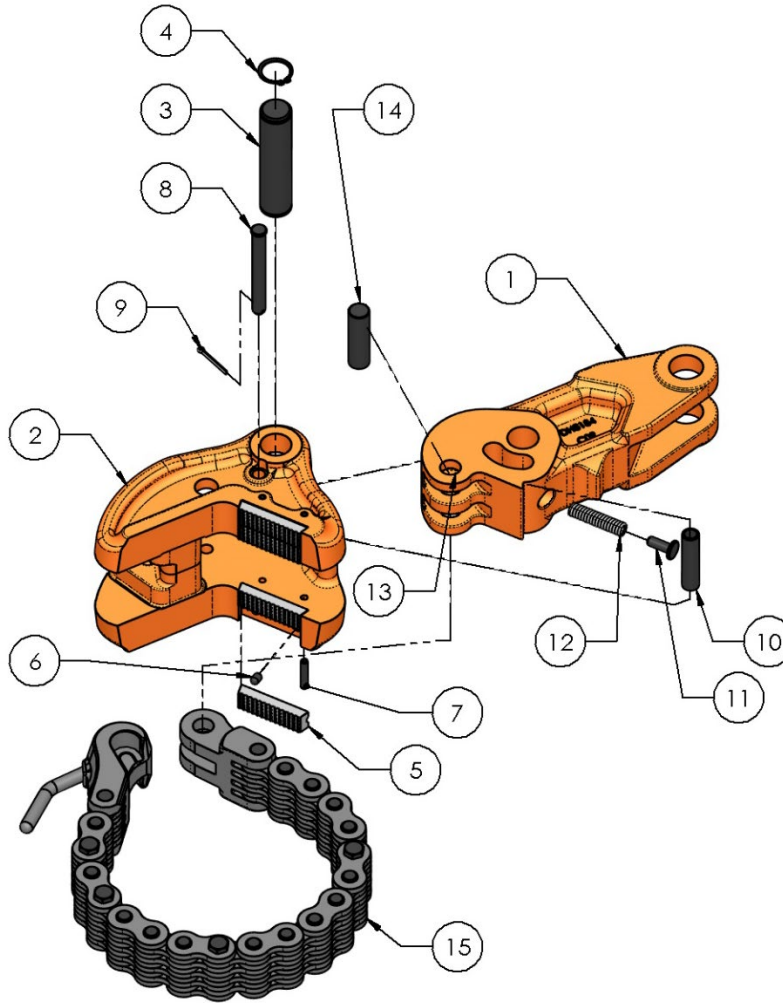


PETOL™ BULL TONG – LA116-C09 Parts List



Item	Qty.	Part Number	Description
1	1	DH8184-C09	Handle
2	1	LJ116	Jaw
3	1	HP249	Jaw-handle pin with retaining ring
4	2	HXRR150	Jaw-handle retaining ring only
5	4	HI05K	Knurled insert
6	8	HP905	Insert key
7	4	HP251	Insert key pin
8	1	HP250	Spring pin with cotter
9	1	HXC003	Spring pin cotter only
10	1	HU36	Spring pin bushing
11	1	HG09	Spring guide
12	1	HS09	Spring (inside)
13	1	HS18	Spring (outside)
14	1	HP234	Master link – handle pin
15	1	*	Chain assembly (see next page for parts)

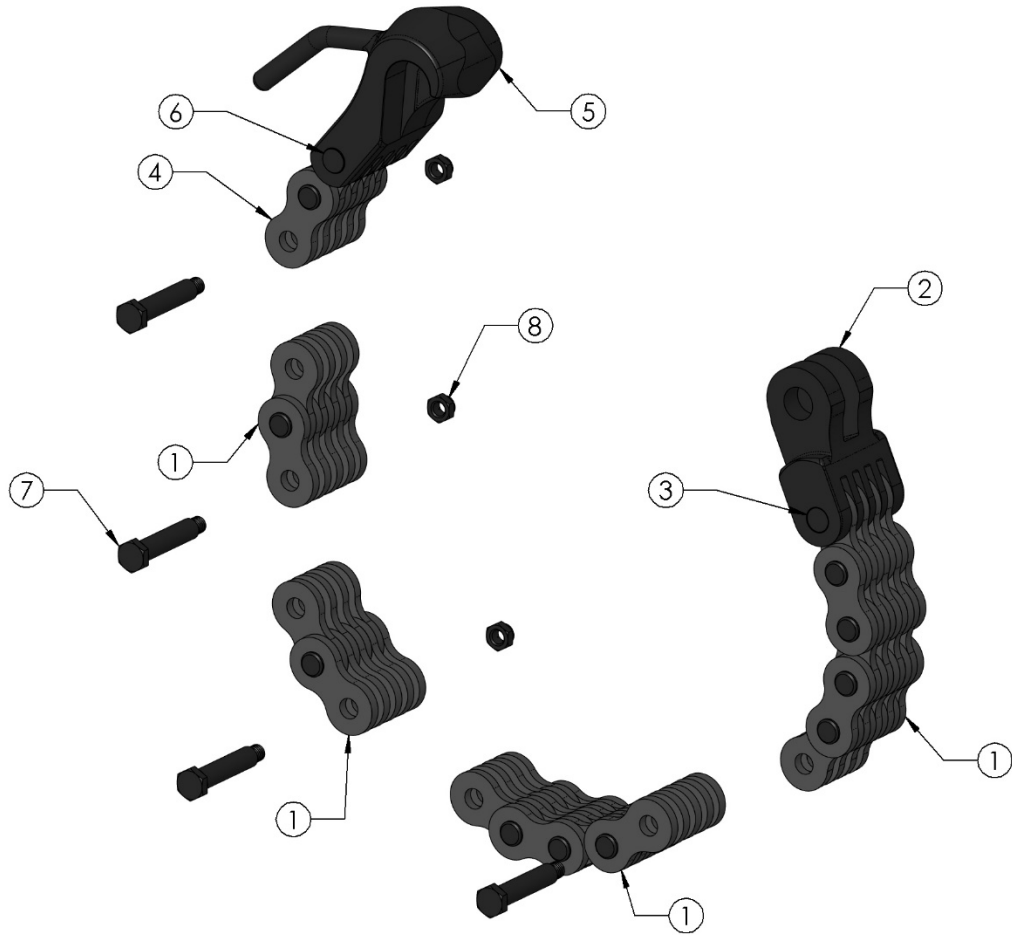
*See Chain Guide on product web page



4450 S. Hwy. 6 | P.O. Box 192
 Clifton, TX 76634 | USA
www.PETOL.com

sales@petol.com | 254.675.8651

PETOL™ BULL TONG – LA116-C09 Parts List



Item	Part No.	Description
1	161-45-02	Special chain only
1	161-45-03	Special chain only
1	161-45-04	Special chain only
1	161-45-05	Special chain only
1	161-45-06	Special chain only
1	161-45-07	Special chain only
1	161-45-08	Special chain only
2	HM06-45	Master link
3	HP247	Master link – chain rivet
4	161-45-02-4500	Chain hook assembly
4	161-45-02-5375	Chain hook assembly
4	161-45-02-6250	Chain hook assembly
5	HC01-45-4500	Chain hook only
5	HC01-45-5375	Chain hook only
5	HC01-45-6250	Chain hook only
6	HP247	Chain hook rivet
7	HB52	Splice bolt with nut
8	HXN016	Splice bolt nut only



4450 S. Hwy. 6 | P.O. Box 192
 Clifton, TX 76634 | USA
www.PETOL.com

sales@petol.com | 254.675.8651