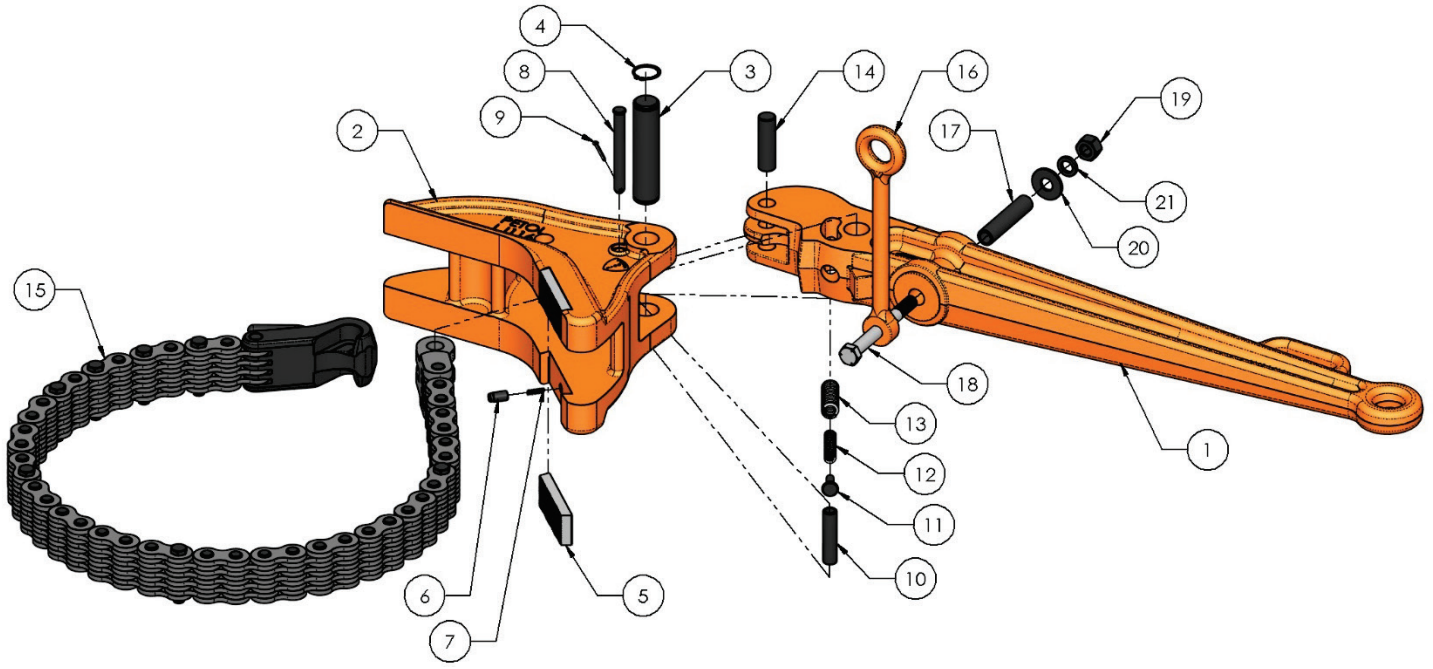


PETOL™ BULL TONG – LA116H Parts List



Item	Qty.	Part Number	Description
1	1	LH116H	Handle
2	1	LJ116H	Jaw
3		HP249	Jaw-handle pin with retaining ring
4	2	HXRR150	Jaw-handle retaining ring only
5	2	HI06D	Diamond point insert
6	2	HP904	Insert key
7	2	HS21	Insert key spring
8	1	HP250	Spring pin with cotter
9	1	HXC003	Spring pin cotter only
10	1	HU36	Spring pin bushing
11	1	HG09	Spring guide
12	1	HS09	Spring (inside)
13	1	HS18	Spring (outside)
14	1	HP234	Master link – handle pin
15	1	*	Chain assembly (see next page for parts)
16	1	HH16	Hanger
17	1	HU49	Hanger bushing
18	1	HB19	Hanger bolt with nut
19	1	HXN023	Hanger nut only
20	1	HXW001	Hanger flat washer
21	1	HXW002	Hanger lock washer

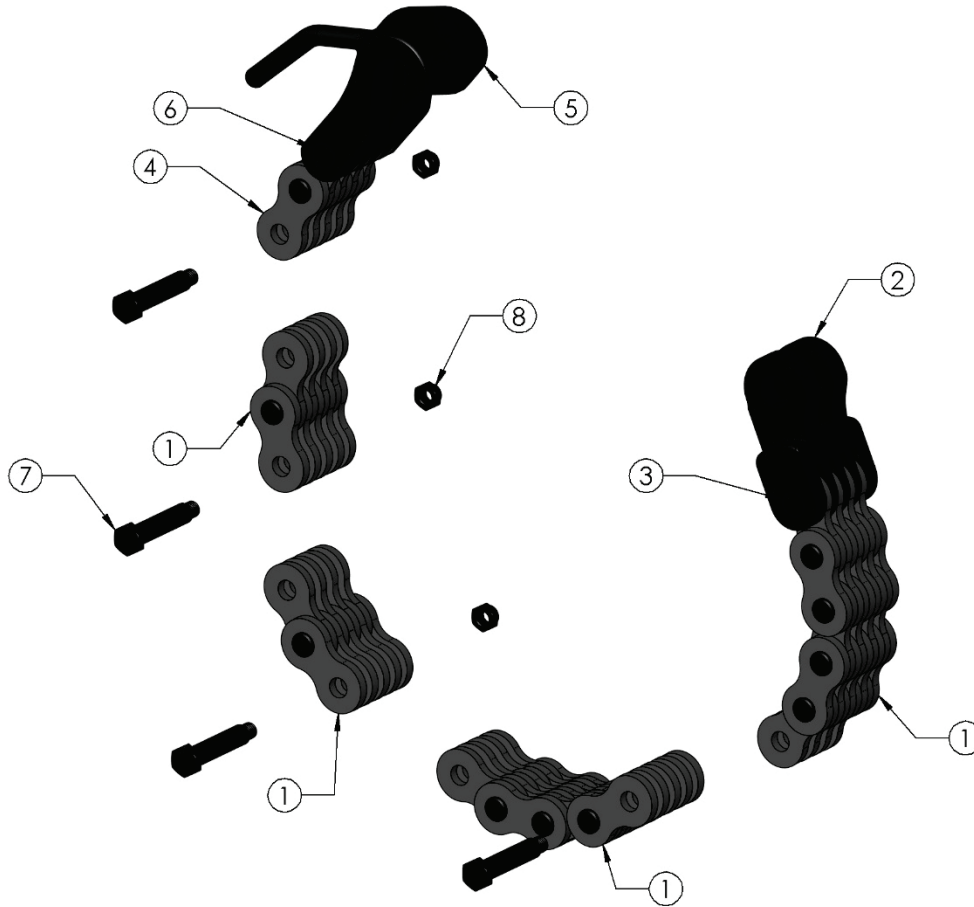
*See Chain Guide on product web page



4450 S. Hwy. 6 | P.O. Box 192
Clifton, TX 76634 | USA
www.PETOL.com

sales@petol.com | 254.675.8651

PETOL™ BULL TONG – LA116H Parts List



Item	Part No.	Description
1	161-45-02	Special chain only
1	161-45-04	Special chain only
1	161-45-06	Special chain only
1	161-45-07	Special chain only
1	161-45-08	Special chain only
1	161-45-10	Special chain only
1	161-45-12	Special chain only
2	HM06-45	Master link
3	HP247	Master link – chain rivet
4	161-45-02-4500	Chain hook assembly
4	161-45-02-5375	Chain hook assembly
4	161-45-02-6250	Chain hook assembly
5	HC01-45-4500	Chain hook only
5	HC01-45-5375	Chain hook only
5	HC01-45-6250	Chain hook only
6	HP247	Chain hook rivet
7	HB52	Splice bolt with nut
8	HXN016	Splice bolt nut only



4450 S. Hwy. 6 | P.O. Box 192
Clifton, TX 76634 | USA
www.PETOL.com

sales@petol.com | 254.675.8651