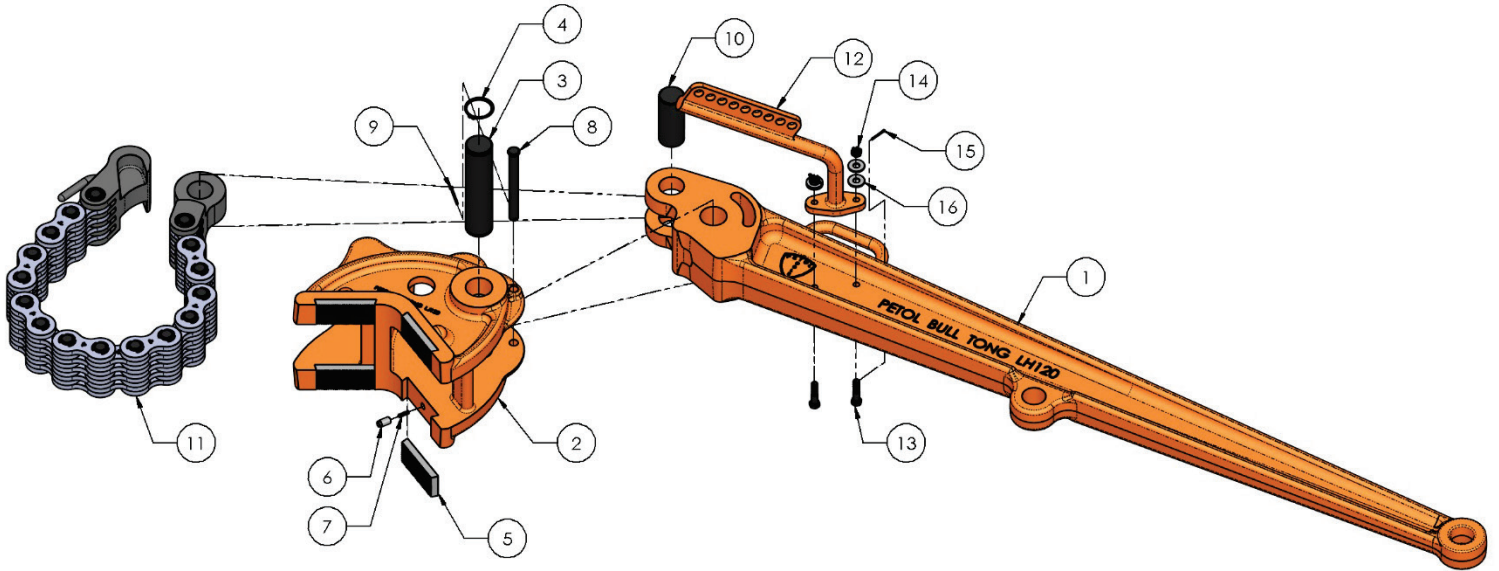


PETOL™ BULL TONG – LA120 Parts List



Item	Qty.	Part Number	Description
1	1	LH120	Handle
2	1	LJ120	Jaw
3	1	HP012	Jaw-handle pin with retaining ring
4	2	HXR225	Jaw-handle retaining ring only
5	4	HI10D	Diamond point insert
6	4	HP904	Insert key
7	4	HS21	Insert key spring
8	1	HP013	Limit pin with cotter
9	1	HXC003	Limit pin cotter only
10	1	HP014	Master link – handle pin
11	1	*	Chain assembly (see next page for parts)
12	1	HH19	Hanger (optional)
13	2	HXS079	Hanger bolt (optional)
14	2	HXN062	Hanger slotted nut (optional)
15	2	HXC008	Hanger nut cotter (optional)
16	4	HXW016	Hanger flat washer (optional)

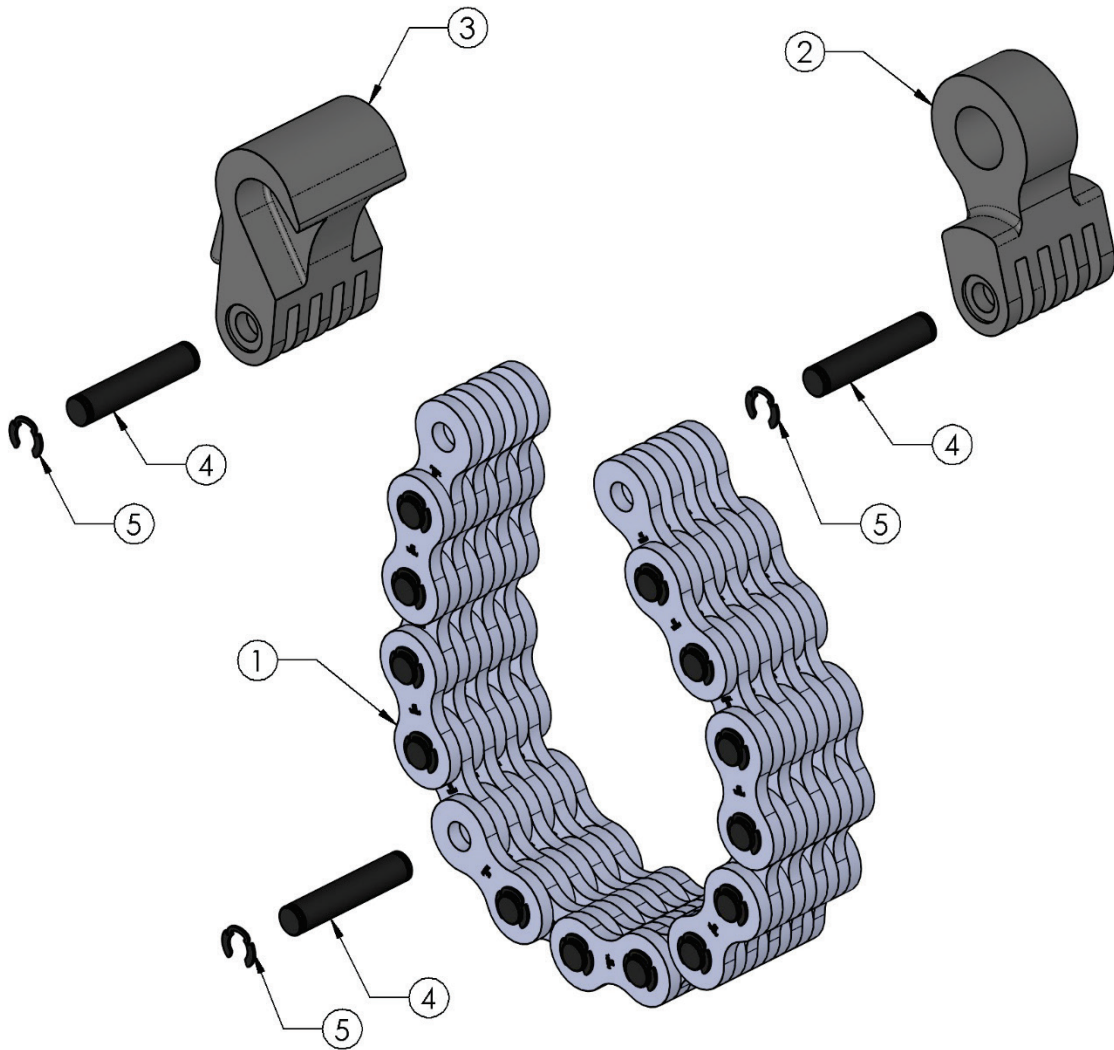
*See Chain Guide on product web page



4450 S. Hwy. 6 | P.O. Box 192
Clifton, TX 76634 | USA
www.PETOL.com

sales@petol.com | 254.675.8651

PETOL™ BULL TONG – LA120 Parts List



Item	Part No.	Description
1	201-45-02	Special chain only
1	201-45-03	Special chain only
1	201-45-04	Special chain only
1	201-45-05	Special chain only
1	201-45-07	Special chain only
1	201-45-08	Special chain only
1	201-45-09	Special chain only
1	201-45-10	Special chain only
2	HM08-45	Master link
3	HC06-45-5625	Chain hook
3	HC06-45-7500	Chain hook
3	HC06-45-9875	Chain hook
4	HP017	Chain pin with kliprings
5	HXKR100	Chain pin klipring only



4450 S. Hwy. 6 | P.O. Box 192
Clifton, TX 76634 | USA
www.PETOL.com

sales@petol.com | 254.675.8651