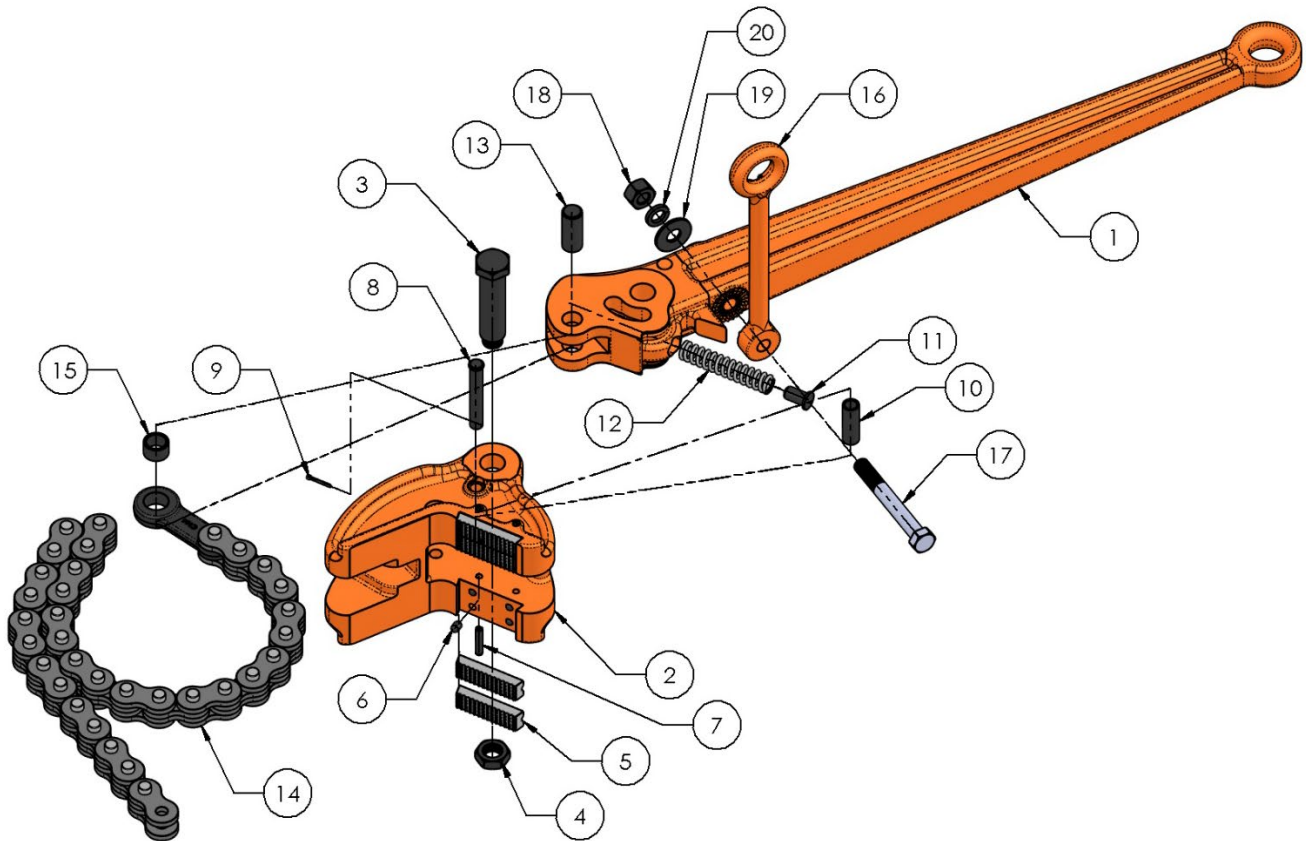


PETOL™ BULL TONG – LA16H (with 2-2 chain) Parts List



Item	Qty.	Part Number	Description
1	1	LH16H	Handle
2	1	LJ16H	Jaw
3	1	HB37	Jaw-handle bolt with nut
4	1	HXN011	Jaw-handle nut only
5	4	HI05K	Knurled insert
6	8	HP905	Insert key
7	4	HP251	Insert key pin
8	1	HP216	Spring pin with cotter
9	1	HXC002	Spring pin cotter only
10	1	HU34	Spring pin bushing
11	1	HG11	Spring guide
12	1	HS18	Spring
13	1	HP208	Master link – handle pin
14	1	160-22-32L	Chain assembly w/master link & bushing
15	1	HU48	Master link bushing only
16	1	HH16	Hanger
17	1	HB17	Hanger bolt with nut
18	1	HXN023	Hanger nut only
19	1	HXW001	Hanger flat washer
20	1	HXW002	Hanger lock washer



4450 S. Hwy. 6 | P.O. Box 192
 Clifton, TX 76634 | USA
www.PETOL.com

sales@petol.com | 254.675.8651