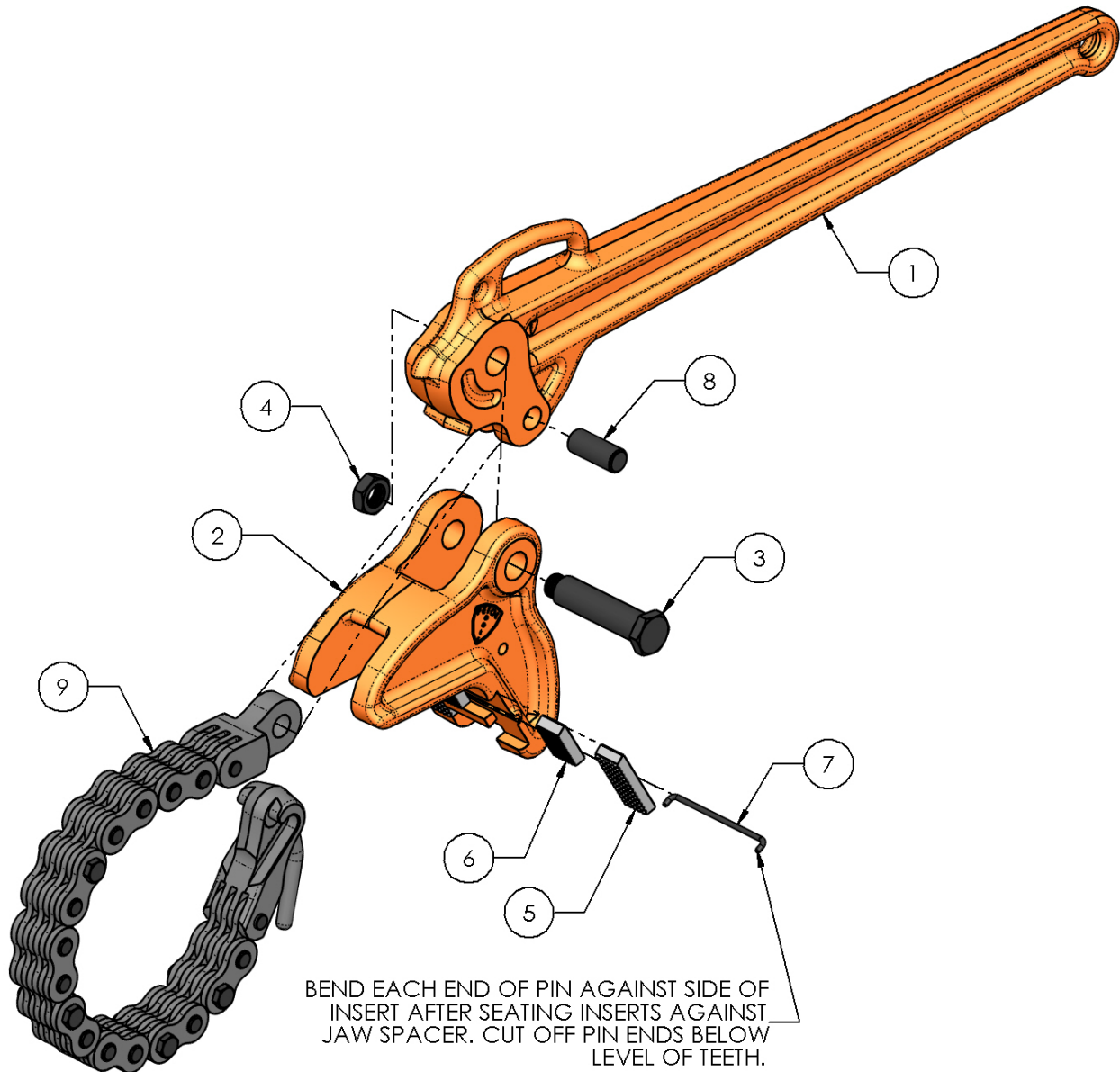


PETOL™ MACHINE TONG – MA16HS (with 3-4 chain) Parts List



Item	Qty.	Part Number	Description
1	1	MH16HS	Handle
2	1	MJ16H	Jaw
3	1	HB37	Jaw-handle bolt with nut
4	1	HXN011	Jaw-handle nut only
5	2	HI07K	Knurled insert
6	2	HI04K	Knurled insert
7	1	HP264	Insert retaining pin
8	1	HP208	Master link – handle pin
9	1	*	Chain assembly (see next page for parts)

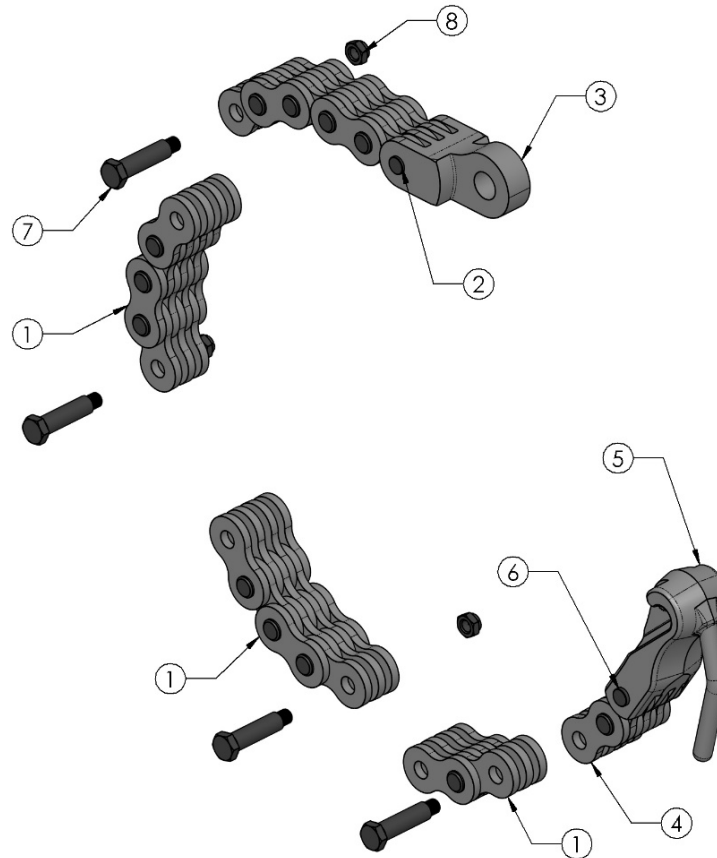
*See Chain Guide on product web page



4450 S. Hwy. 6 | P.O. Box 192
Clifton, TX 76634 | USA
www.PETOL.com

sales@petol.com | 254.675.8651

PETOL™ MACHINE TONG – MA16HS (with 3-4 chain) Parts List



Item	Part No.	Description
1	161-34-02	Special chain only
1	161-34-03	Special chain only
1	161-34-04	Special chain only
1	161-34-05	Special chain only
1	161-34-06	Special chain only
1	161-34-07	Special chain only
1	161-34-08	Special chain only
2	HM07-34	Master link
3	HP246	Master link – chain rivet
4	161-34-02-4500	Chain hook assembly
4	161-34-02-5375	Chain hook assembly
4	161-34-02-6250	Chain hook assembly
5	HC02-34-4500	Chain hook only
5	HC02-34-5375	Chain hook only
5	HC02-34-6250	Chain hook only
6	HP246	Chain hook rivet
7	HB50	Splice bolt with nut
8	HXN016	Splice bolt nut only



4450 S. Hwy. 6 | P.O. Box 192
Clifton, TX 76634 | USA
www.PETOL.com

sales@petol.com | 254.675.8651