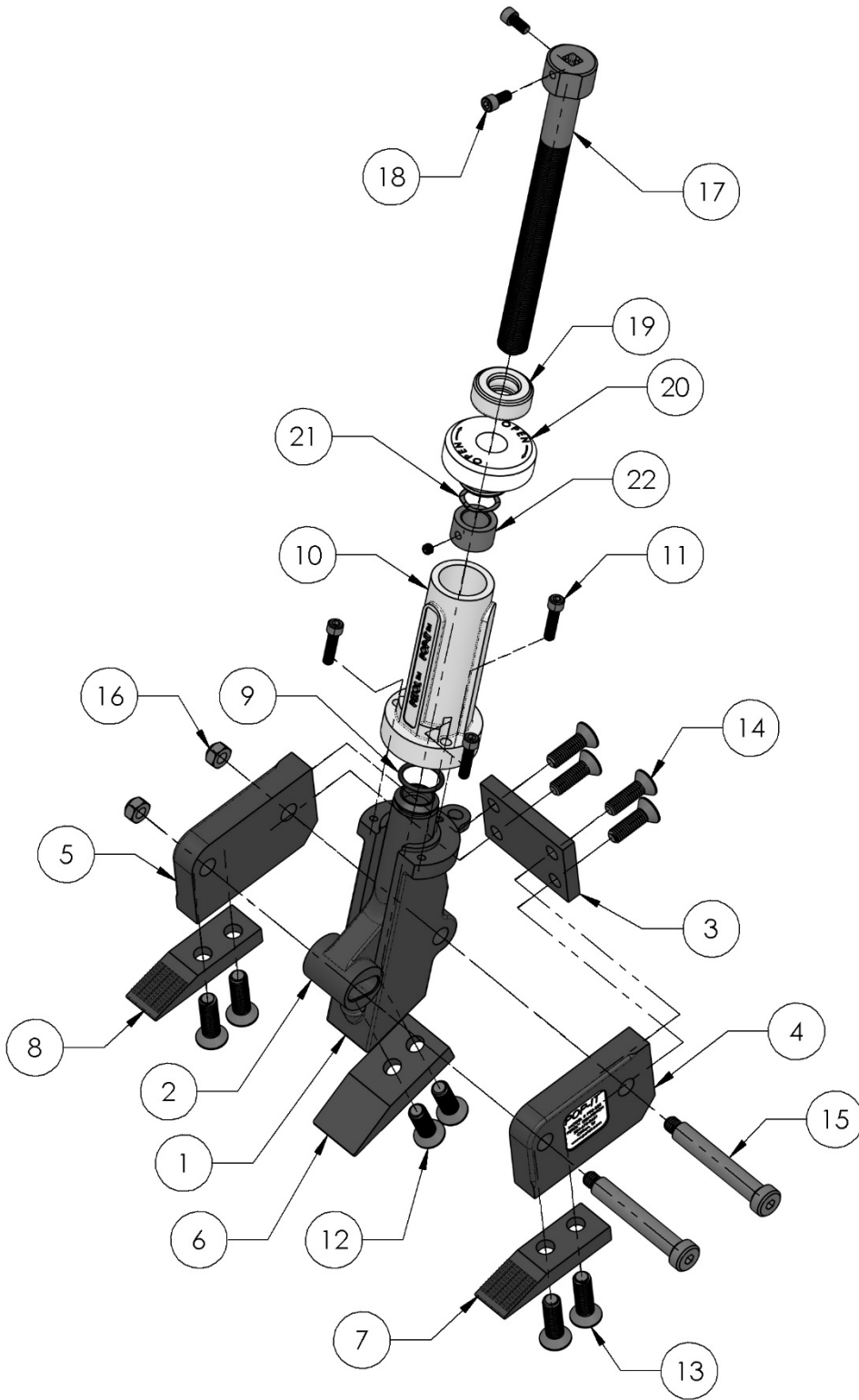


PETOL™ POP-IT™ FLANGE SPREADER & PRYING TOOL – P95-525 Parts List



4450 S. Hwy. 6 | P.O. Box 192
Clifton, TX 76634 | USA
www.PETOL.com

sales@petol.com | 254.675.8651

PETOL™ POP-IT™ FLANGE SPREADER & PRYING TOOL – P95-525 Parts List

Item	Qty.	Part Number	Description
1	1	PD0502	Body
2	1	PC0501	Riser
3	1	PB0503	Striker plate
4	1	PC0504L	Side plate (left)
5	1	PC0504R	Side plate (right)
6	1	PB0511	Inside toe
7	1	PB0512L	Outside toe (left)
8	1	PB0512R	Outside toe (right)
9	1	HXOR03	O-ring
10	1	PD0505	Handle
11	3	HXS056	Socket head cap screw (handle)
12	2	HXS064	Countersunk socket head cap screw (inside toe)
13	4	HXS065	Countersunk socket head cap screw (outside toe)
14	4	HXS058	Countersunk socket head cap screw (striker plate)
15	2	HXS059	Socket head shoulder screw (side plates)
16	2	HXN065	Locking nut (side plates)
17	1	PC0508	Drive screw
18	2	HXS087	Socket head cap screw (drive screw – ratchet)
19	1	HXB03	Thrust bearing
20	1	PB0507	End cap
21	1	HS33	Wave spring washer
22	1	PB0506	Locking sleeve w/set screw
23	1	PC0509	Ratchet (not shown)

PK0511 Inside Toe Kit	
Item	Qty.
6	1
12	2

PK0512L Left Outside Toe Kit	
Item	Qty.
7	1
13	2

PK0512R Right Outside Toe Kit	
Item	Qty.
7	1
13	2

PK0518 Toe Kit	
Item	Qty.
6	1
7	1
8	1
12	2
13	4

P95HDWR-KIT Hardware Kit	
Item	Qty.
9	1
11	3
12	2
13	4
14	4
18	2
21	1



4450 S. Hwy. 6 | P.O. Box 192
Clifton, TX 76634 | USA
www.PETOL.com

sales@petol.com | 254.675.8651