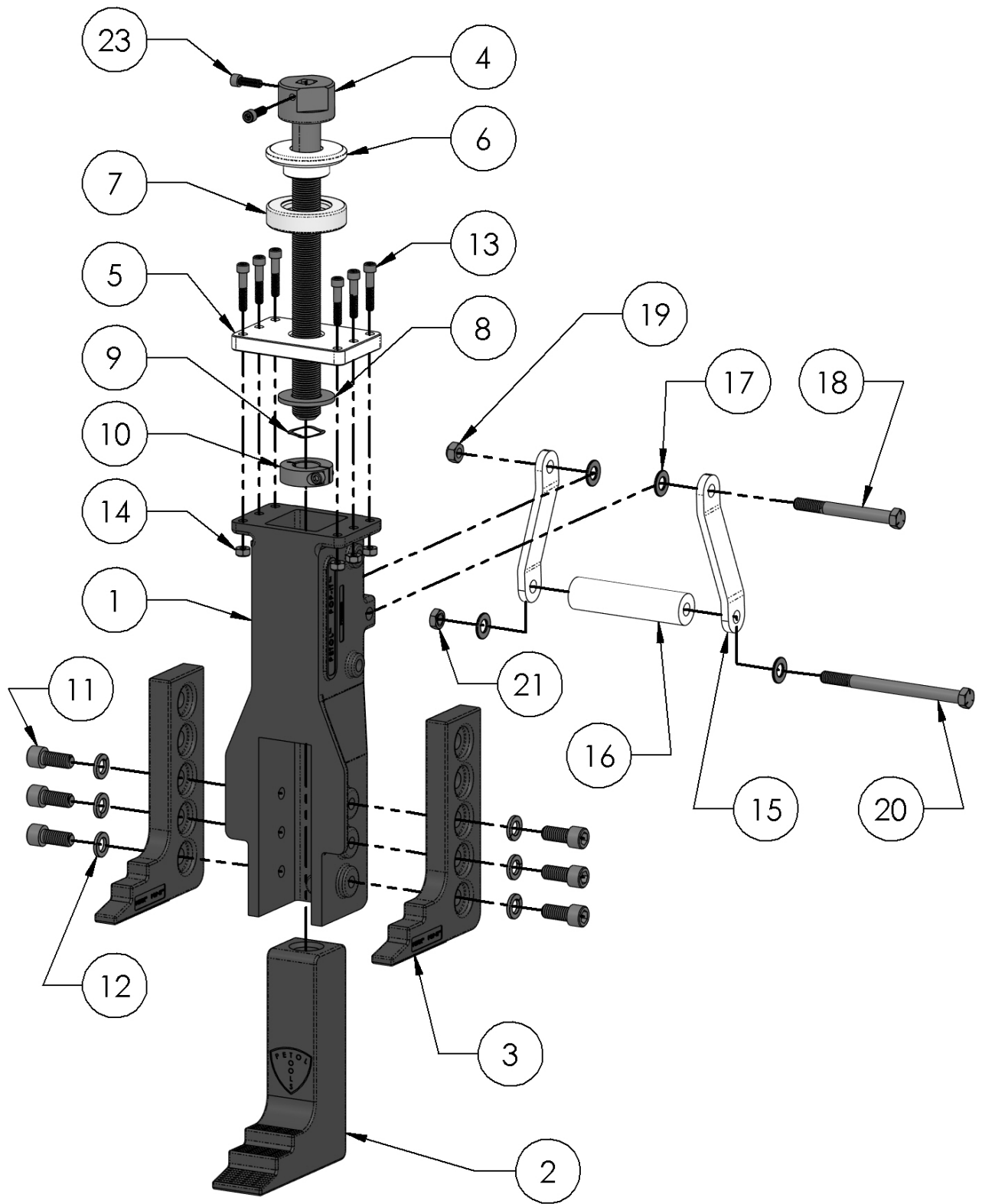


**PETOL™ POP-IT™ FLANGE SPREADER & PRYING TOOL – PHD0535 Parts List**



4450 S. Hwy. 6 | P.O. Box 192  
 Clifton, TX 76634 | USA  
[www.PETOL.com](http://www.PETOL.com)

[sales@petol.com](mailto:sales@petol.com) | 254.675.8651

# PETOL™ POP-IT™ FLANGE SPREADER & PRYING TOOL – PHD0535 Parts List

Item	Qty.	Part Number	Description
1	1	PE0525	Body
2	1	PD0527	Riser
3	2	PD0526	Outside toe
4	1	PC0605	Drive screw
5	1	PC0530	Top plate
6	1	PB0605	Bearing flange
7	1	HXB02	Thrust bearing
8	1	HXW025	Flat washer
9	1	HS34	Wave disc spring
10	1	HXSC02	Shaft collar w/cap screw
11	6	HXS061	Socket head cap screw (outside toes)
12	6	HXW027	Spring lock washer (outside toes)
13	6	HXS060	Socket head cap screw (top plate)
14	6	HXN066	Locking nut (top plate)
15	2	PC0532-1	Handle side plate
16	1	PC0532-2	Handle grip
17	4	HXW026	Flat washer (handle side plate)
18	1	HXS062	Hex bolt (handle side plate)
19	1	HXN065	Locking nut (handle side plate)
20	1	HXS063	Hex bolt (handle grip)
21	1	HXN067	Jam nut (handle grip)
22	1	PD0533	Ratchet (not shown)
23	2	HXS032	Socket head cap screw (ratchet – drive screw)

PC0532 Handle Assembly	
Item	Qty.
15	2
16	1
17	4
18	1
19	1
20	1
21	1

PHDHDWR-KIT Hardware Kit	
Item	Qty.
8	1
9	1
11	6
12	6
13	6
14	6
17	4
18	1
19	1
20	1
21	1
23	2



4450 S. Hwy. 6 | P.O. Box 192  
Clifton, TX 76634 | USA  
[www.PETOL.com](http://www.PETOL.com)

[sales@petol.com](mailto:sales@petol.com) | 254.675.8651