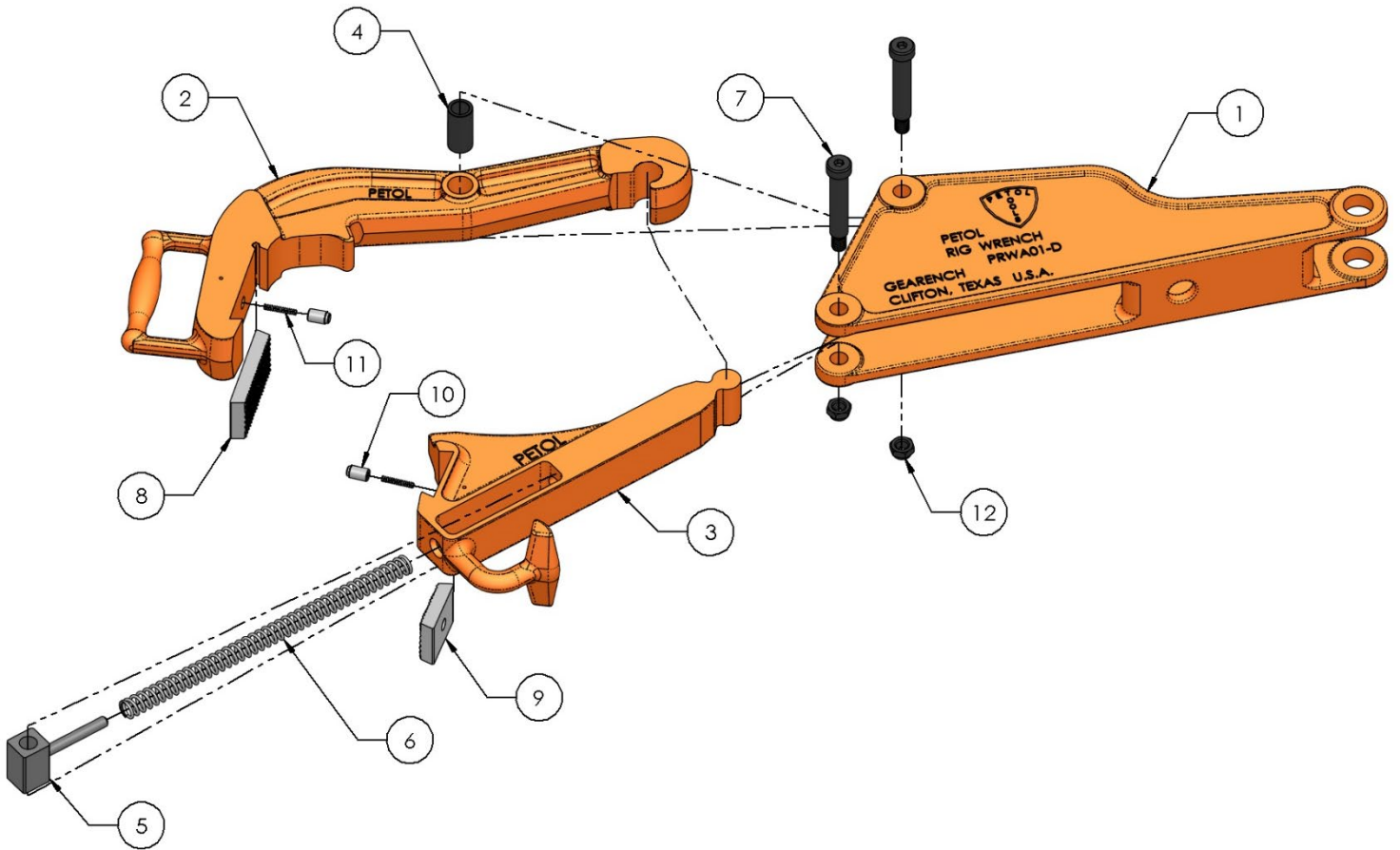


PETOL™ RIG WRENCH – PRWA01-D Parts List



Item	Qty	Part Number	Description
1	1	PRWH01-D	Handle
2	1	PRWU01	Upper jaw
3	1	PRWL01	Lower jaw
4	1	HU60	Upper jaw bushing
5	1	HU61	Lower jaw bushing
6	1	HS29	Spring
7	2	HB57	Jaw bolt with nut
8	1	HI09D*	Upper jaw diamond point insert
8	1	HI09T-4*	Upper jaw tooth insert (4 pitch)
8	1	HI09T-7*	Upper jaw tooth insert (7 pitch)
9	1	HI30D*	Lower jaw diamond point insert
9	1	HI30T-4*	Lower jaw tooth insert (4 pitch)
9	1	HI30T-7*	Lower jaw tooth insert (7 pitch)
10	2	HP903	Insert key
11	2	HS20S	Insert key spring
12	2	HXN016	Jaw bolt nut only

*T-4 or T-7 inserts MUST BE USED to work 3-1/2" O.D. – Diamond point or teeth inserts can be used to work ALL OTHER O.D.'s.



4450 S. Hwy. 6 | P.O. Box 192
Clifton, TX 76634 | USA
www.PETOL.com

sales@petol.com | 254.675.8651