

PETOL™ Suckerrod Transfer QT Operating Manual



! WARNING !

**Improper use of sucker rod transfers may result in injury or death. Do Not Exceed Rated Load of 400 Pounds.
Follow safe practices listed in this manual.**

**PETOL™ GEARENCH
P.O. Box 192
4450 Highway 6
Clifton, Texas 76634
Phone: (254) 675-8651
Fax: (254) 675-6100**

© 2021 by PETOL™ GEARENCH. All rights reserved.

Form QT revision 12/17/2021

Table of Contents

PETOL™ Suckerod Transfer Description	1
PETOL™ GEARENCH Limited Warranty	2
Safe Practices and Procedures	4
Responsibility.....	4
Replacement Parts.....	4
Safety.....	4
Periodic Maintenance and Inspection Schedule.....	6
Inspection Wear Limits.....	7
Assembly Drawing	8
Operation	10
Replacement Parts	11
Responsibility of Distributors	11

PETOL™ Suckerod Transfer Description

The QT PETOL™ Suckerod Transfer hangs from a shackle, hook, sling, or rope and enables rig workers to easily transfer pulled sucker rods to and from the racking platform.

The Suckerod Transfer body size is determined by the customer's rod size and width of wrench square. The size is stamped on each body.

The Suckerod Transfer has a rated capacity of 400 pounds.

The QT offers the following features:

- An integrated safety ring to provide simple, fast, and smooth operation.

- An optional spring retainer to keep the safety ring in the closed position until pushed up and open by the operator.

- Alloy steel materials to provide long life.

PETOL™ GEARENCH Limited Warranty

What Is Covered

PETOL™ GEARENCH tools are expressly warranted to you, the purchaser, to be free of defects in material and workmanship.

How Long Coverage Lasts

This express warranty lasts for the lifetime of the PETOL GEARENCH tool. Warranty coverage ends when the tool becomes unusable for reasons other than defects in workmanship or material.

How Can You Get Warranty Service

To obtain the benefit of this warranty, contact a PETOL GEARENCH sales representative in Clifton, Texas.

PETOL GEARENCH · 4450 S. Highway 6 · P.O. Box 192 · Clifton, TX 76634

What Will We Do To Correct Problems

Warranted products will be repaired or replaced, at PETOL GEARENCH's option, and returned at no charge to you, the original purchaser; or, if after three attempts at repair or replacement during the warranty period, the product defect in material or workmanship persists, you can elect to receive a full refund of your original purchase price for the product.

What Is Not Covered

Defects, failures or conditions that are due to normal wear and tear, abuse or misuse, are not covered by this limited warranty. In addition, this limited warranty is in lieu of all other warranties, express or implied, verbal or written. To the maximum extent allowed by law PETOL GEARENCH disclaims all implied warranties, including implied warranties of merchantability and/or fitness for a particular purpose. PETOL GEARENCH also specifically denies any liability for any incidental damages and/or consequential damages, including but not limited to property damage to property other than the product itself, loss of sales profits, down time, costs or any other damages measurable in money, whether or not included in the foregoing enumeration.

Please be advised that some states do not allow the exclusion or limitation of incidental or consequential damages, so this limitation or exclusion may not apply to you. This warranty gives you specific rights, and you may also have other rights, which vary from state to state, province to province, or country to country.

Are Personal Injuries Covered

In the event you, someone working for you, or any other person sustain a personal injury as a result of using the PETOL GEARENCH tool, PETOL GEARENCH limits its potential liability for such a claim or injury to the fullest extent allowed by law, and disclaims and denies any liability for such personal injury.

Please be advised that some states do not allow the exclusion or limitation of liability for personal injuries, so the above limitation or exclusion may not apply to you, or the individual claiming injury.

No Other Express Warranty Applies

This PETOL GEARENCH LIMITED WARRANTY is the sole and exclusive warranty, express or implied for PETOL GEARENCH products. No employee, agent, dealer or other person is authorized to alter, modify, expand or reduce the terms of this warranty or to make any other warranty on behalf of PETOL GEARENCH.

Law Applicable

All matters related to the sale and/or use of the PETOL GEARENCH tool that is the subject of this limited warranty, along with the construction and enforcement of the terms of this limited warranty itself, shall be subject to the substantive and procedural laws of the state of Texas, not the conflicts of laws provisions of Texas, but rather the laws of Texas themselves.

Forum Selection Clause

Any dispute arising out of the sale and/or use of the PETOL GEARENCH tool that is the subject of this limited warranty shall be presented in the form of a claim or lawsuit to the offices of PETOL GEARENCH in Clifton, Bosque County, Texas. No claim or suit may be brought against PETOL GEARENCH, arising out of the sale and/or use of the tool, or arising out of the terms of this warranty, except in such forum. Purchase and/or use of the PETOL GEARENCH tool makes you subject to the benefits and limitations of this limited warranty. Accordingly, any writ, judgment or other enforcement, obtained from a jurisdiction, county, parish, state or federal court or other country, other than from the forum identified above, shall be void and unenforceable against PETOL GEARENCH.

Arbitration Clause

In the event of dispute or claim arises out of the sale and/or use of the PETOL GEARENCH tool that is the subject of this limited warranty, or arises out of the interpretation or enforcement of the terms and conditions of this limited warranty, such dispute shall be submitted to binding arbitration pursuant to the rules of the American Arbitration Association. If required to accomplish the purpose of this Arbitration clause, the purchaser hereby expressly waives any right to demand trial by jury.

Complete Agreement

This express limited warranty contains the entire agreement regarding express or implied warranties related to the PETOL GEARENCH tool that is the subject of it. No writing or language contained in the purchase order or any other document of the purchaser, or invoice of PETOL GEARENCH or any intermediate seller, shall be construed as modifying, in any way, the rights and liabilities contained in this limited warranty. PETOL GEARENCH expressly disclaims any obligations expressed in any customer purchase order or document that are contrary to the terms and limitations of this warranty.

Severability

If any term or limitation contained in this limited warranty is deemed unenforceable by law, then the term shall be severed from the remaining portions of the limited warranty which shall remain enforceable.

All communications to PETOL GEARENCH regarding the use of the tool and any aspect of the sale of the tool of this limited warranty should be addressed to PETOL GEARENCH.

PETOL GEARENCH · 4450 S. Highway 6 · P.O. Box 192 · Clifton, TX 76634

Safe Practices and Procedures

Responsibility

"It is the responsibility of the employer to train the employee in the proper selection and usage of tools, chains, etc., and to ensure that they are selected and used in that manner. In many instances, injury results because it is assumed that anybody knows how to use common hand tools. Observations and the record show that this is not the case. A part of every job instruction program should therefore be detailed training in the proper use of hand tools (and of all other special tools and equipment needed to accomplish the job)." - (Source: National Safety Council)

"Employers are responsible for the safe condition of tools and equipment used by employees, including tools and equipment which may be furnished by employees." - (Source: OSHA 1910.242A)

Replacement Parts

Use only PETOL™ replacement parts - no other parts are of comparable strength, quality and interchangeability.

Safety

While we pride ourselves on the quality and dependability that we build into PETOL GEARENCH tools and products, we caution users that it is only prudent to know and follow the simple rules of safety when using our products, or anyone else's.

Always follow safe practices and procedures in accordance with the recommendations of OSHA, The National Safety Council (NSC), The Hand Tools Institute (HTI), The International Association of Drilling Contractors (IADC), Etc. All applicable Governmental rules, regulations or restrictions, now in effect or which may be promulgated, take precedence over the suggestions in this publication. The information in this publication is designed to supplement standard safe practices and procedures, not in lieu of, or replacement thereof.

WARNING

Improper use of sucker rod transfers may result in injury or death. Follow safe practices listed below. (Source OSHA.gov)

Potential hazards when installing and removing production sucker rods include:

Hazard

1 – Falling from heights.

Possible Solution

1 – Wear appropriate fall protection including a full body harness.

1 – Never disconnect personal fall arrest systems while working in the derrick.

Hazard

2 – Getting fingers or hands pinched in or between rod wrenches, rod elevators, tongs, rod hook, rod transfer, and rod finger.

Possible Solution

2 – Ensure that workers are instructed in proper hand and finger placement when making and breaking rod connections or setting rods on the rod fingers.

Hazard

3 – Being struck by dropped objects.

Possible Solution

3 – Wear proper personal protective equipment.

3 – Use extra caution while people are working overhead.

3 – Avoid carrying tools while climbing the derrick ladder. Raise tools with a line to any worker above the derrick floor.

3 – Ensure that all tools and equipment being used are secured with the proper safety lines.

Periodic Maintenance and Inspection Schedule

Daily

1. Visually inspect transfer for signs of corrosion or damaged components.
2. Inspect for any visual evidence of external cracks. Visible cracks indicate potential failure points, and if they are discovered, the transfer should be immediately removed from service.
3. Examine rod square seat surface for deformation. If the surface is excessively worn, the transfer needs repair. (See 'Inspection Wear Limits' for maximum allowable wear)
4. Test the operation of the transfer safety ring. If the safety ring appears to be too restricted, repair may be required.
5. **Do not grind or remove metal from any surface of the transfer. Contact PETOL™ GEARENCH for all suspected damage and repair.**
6. Proper lubrication involves greasing the bearings through their grease fitting to maintain smooth operation.
7. After use, clean transfer. Remove all external dirt and grease.

NOTE: The QT sucker rod transfer is a load bearing tool that is manufactured from alloy steel to strict standards. Repairs should only be made by PETOL™ GEARENCH or a repair facility authorized by PETOL GEARENCH.

Inspection Wear Limits

Rod Square Seat Thickness

- Nominal Seat Thickness – 0.375”
- Minimum Seat Thickness after wear – 0.313”

Rod Square Seat Width

- QB1 Nominal Seat Width – 0.950”
- QB1 Maximum Seat Width after wear – 0.980”

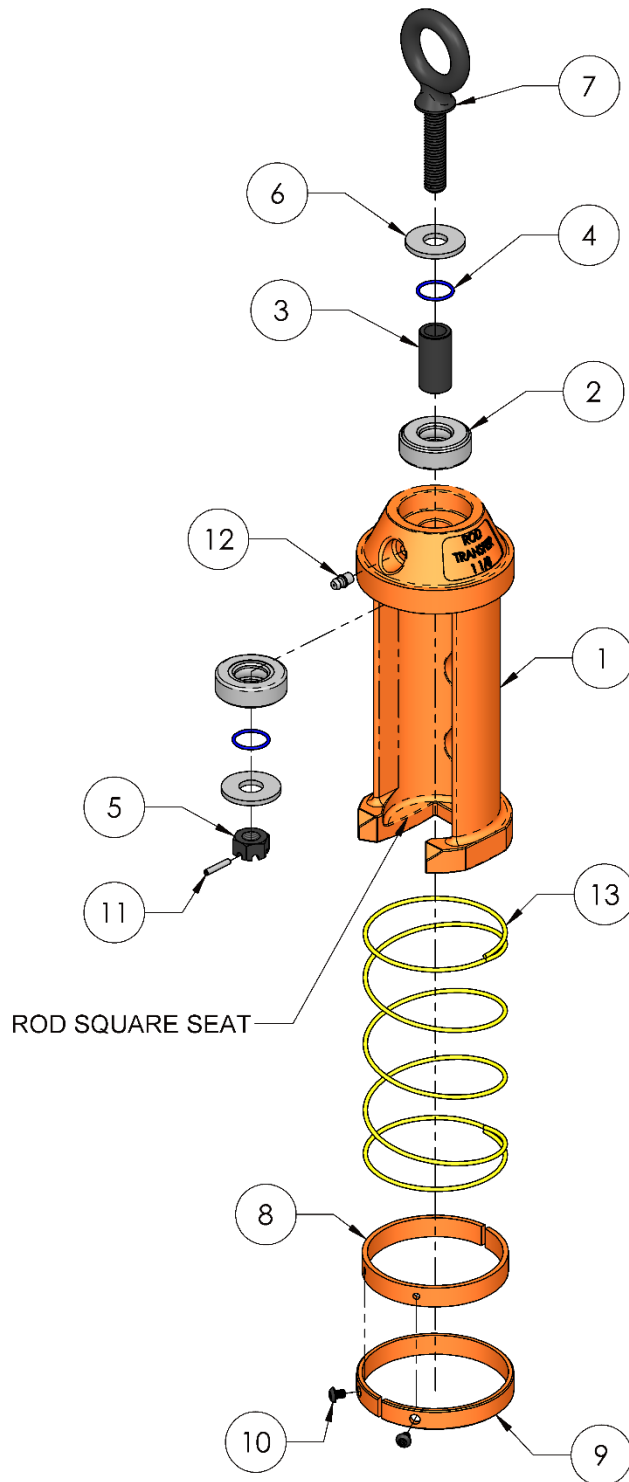
- QB2 Nominal Seat Width – 1.070”
- QB2 Maximum Seat Width after wear – 1.100”

- QB2R Nominal Seat Width – 1.200”
- QB2R Maximum Seat Width after wear – 1.230”

- QB4 Nominal Seat Width – 1.380”
- QB4 Maximum Seat Width after wear – 1.410”

- QB5 Nominal Seat Width – 1.570”
- QB5 Maximum Seat Width after wear – 1.600”

Assembly Drawing



ITEM	QTY	PART NUMBER	DESCRIPTION
1A	1	QB1	5/8 BODY (SIZE AS REQ'D)
1B	1	QB2	3/4 - 7/8 BODY (SIZE AS REQ'D)
1C	1	QB2R	7/8 EL BODY (SIZE AS REQ'D)
1D	1	QB4	1 BODY (SIZE AS REQ'D)
1E	1	QB5	1-1/8 BODY (SIZE AS REQ'D)
2	2	HXB01	THRUST BEARING
3	1	HU03	BUSHING
4	2	HXOR02	O-RING
5	1	HXN009	SLOTTED NUT
6	2	HXW016	FLAT WASHER
7	1	HXS054	DRILLED EYEBOLT
8	1	QI5	INNER SAFETY RING
9	1	QO5	OUTER SAFETY RING
10	2	HXS055	SAFETY RING SCREW
11	1	HXP007	SLOTTED SPRING PIN
12	1	HXG006	GREASE FITTING
13	1 (OPTIONAL)	HS38P	SPRING (OPTIONAL) ASSEMBLY NUMBERS: QT1S, QT2S, QT2RS, QT4S, QT5S

Operation

To attach the sucker rod transfer to the sucker rod, the operator lifts the safety ring from the bottom of the transfer to the top of the transfer. The operator holds the safety ring at the top of the transfer and slides the open end of the rod square seat of the transfer onto the wrench square section of the sucker rod. The operator then slides the safety ring back to the bottom of the transfer to prepare to safely lift the sucker rod. **It is important for the transfer operator to visually verify that the safety ring properly settles into the engaged position or premature release of the sucker rod could occur, resulting in bodily injury and/or dropping the sucker rod down the well or onto the rig floor.**

To remove the sucker rod transfer from the sucker rod, the sucker rod is landed in a rack or in a sucker rod elevator, and the transfer is then lowered enough to remove tension on the lifting line. The transfer operator lifts the safety ring from the bottom of the transfer to the top of the transfer and holds it in place while sliding the open end of the rod square seat of the transfer off the sucker rod.

It is wise to practice connecting and disconnecting the sucker rod transfer to and from the sucker rod to observe the safety ring operation, which helps to build familiarity, to develop a routine, and to know the safety ring is set.



Under no circumstances should the maximum working load of 400 Pounds be exceeded.

This tool should not be used under heavy impact load conditions including but not limited to catching dropped sucker rods or running up against stuck sucker rods to break them loose.

Replacement Parts

Repairs should only be made by PETOL™ GEARENCH or a repair facility authorized by PETOL GEARENCH.

Responsibility of Distributors

PETOL GEARENCH DISTRIBUTORS ARE RESPONSIBLE FOR FORWARDING THIS OPERATING MANUAL AND OTHER PETOL GEARENCH PRODUCT INFORMATION RELATING TO THE INDIVIDUAL PRODUCT, THROUGH THE CHANNELS OF DISTRIBUTION, DOWN TO AND INCLUDING THE INDIVIDUAL USING THE PRODUCT.

NOTE:

In view of the fact that the actual use determines whether safety requirements have been met, the ultimate responsibility to comply rests with the end user.