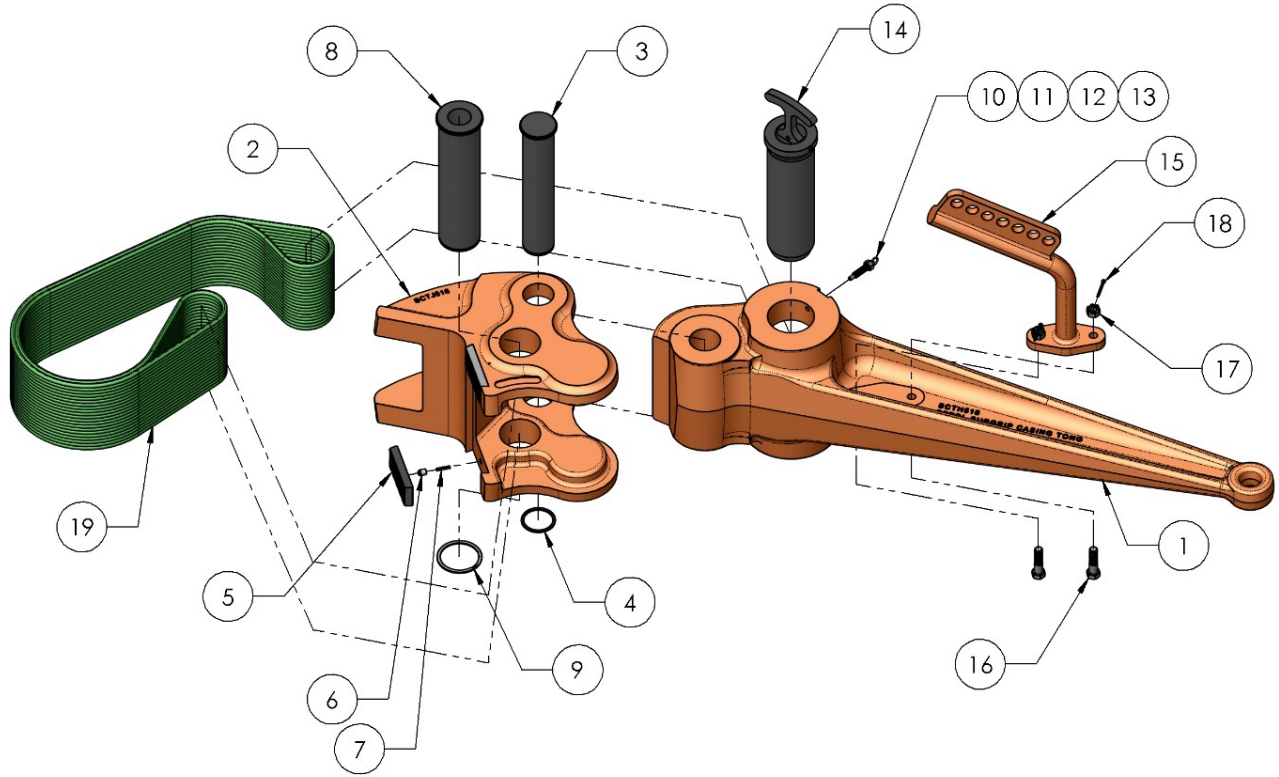


# PETOL™ SURGRIP™ BELT TONG™ - SCT516 Parts List



Item	Qty.	Part Number	Description
1	1	SCTH516	Handle
2	1	SCTJ516	Jaw
3	1	HP068	Jaw-handle pin
4	1	HXSR200	Retaining ring
5	2	HI38D	Diamond point insert
6	2	HP902	Insert key
7	2	HS20SS	Insert key spring
8	1	HP069	Belt – jaw pin
9	1	HXSR262	Spiral retaining ring
10	2	HXSS008	Spring pin
11	1.50 ft	HXL-C1	Lanyard cable 18” long (not shown)
12	2.00 ft	HXL-C1	Lanyard cable 24” long (not shown)
13	4	HXL-S1	Lanyard sleeve (use 1 per lanyard loop) (not shown)
14	1	HP070	Belt-handle pin
15	1	HH18	Hanger
16	2	HXS051	Hanger bolt (drilled)
17	2	HXN062	Slotted hex nut
18	2	HXC008	Cotter pin
19	as req'd.	*	Belt

\*See Strap Guide on product web page



4450 S. Hwy. 6 | P.O. Box 192  
Clifton, TX 76634 | USA  
[www.PETOL.com](http://www.PETOL.com)

[sales@petol.com](mailto:sales@petol.com) | 254.675.8651