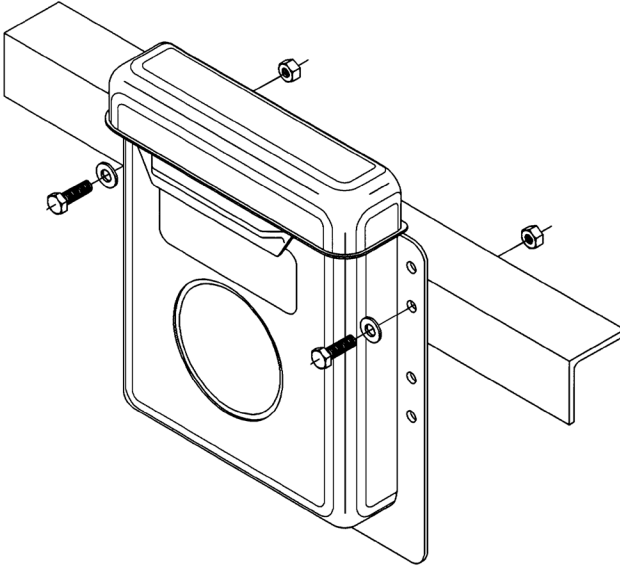


INSTALLATION INSTRUCTIONS

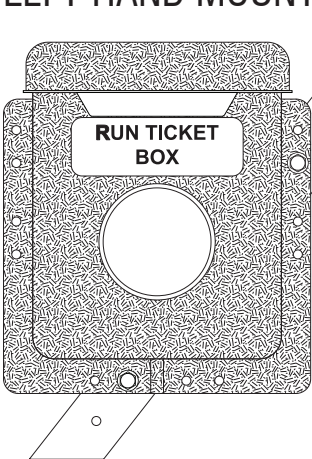
for

PETOL™ RUN TICKET BOX

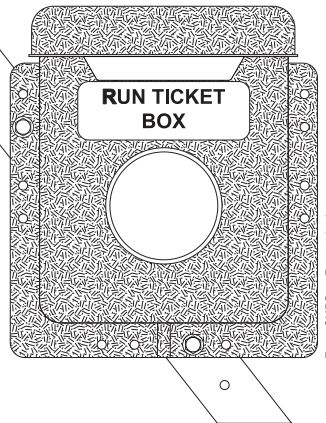
HORIZONTAL MOUNT



LEFT-HAND MOUNT



RIGHT-HAND MOUNT



Form SHPG56 Rev. 10/28/14



4450 S. Hwy. 6 • P.O. Box 192
Clifton, Texas 76634
www.gearench.com

GEARENCH™

(254) 675-8651
fax (254) 675-6100
sales@gearench.com