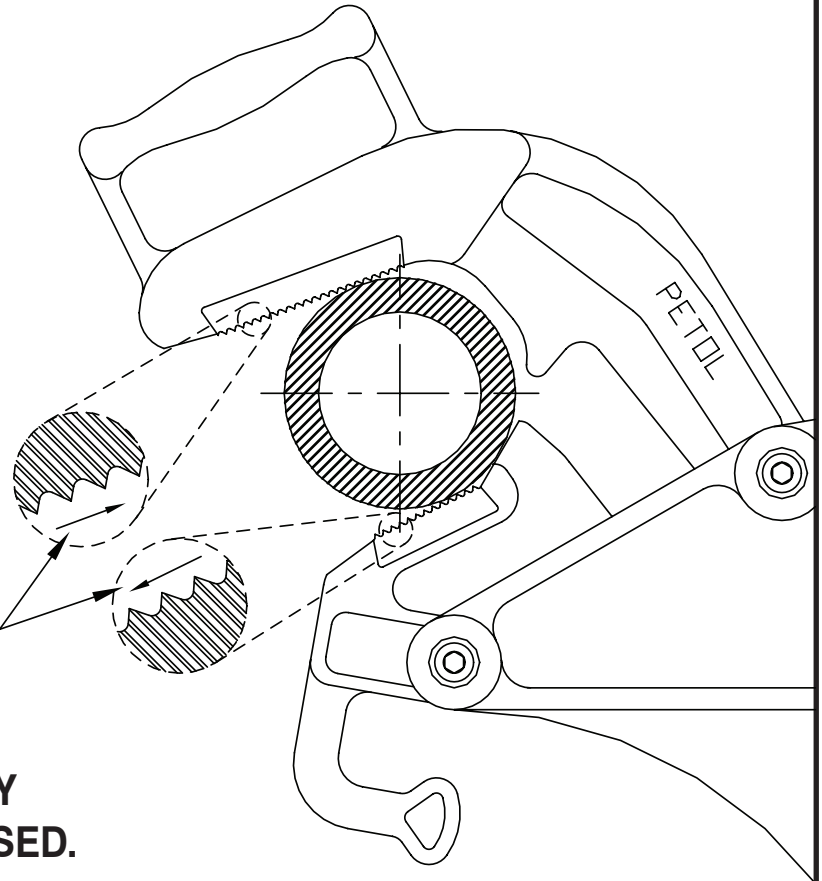


# T-4 AND T-7 PETOL™ TEETH INSERT INSTALLATION

for PETOL™ RIG WRENCH

ALWAYS INSTALL TEETH INSERTS  
AS SHOWN IN THIS DIAGRAM.  
FAILURE TO DO SO COULD  
RESULT IN IMPROPER GRIPPING.

**NOTE  
DIRECTION  
OF TEETH**



**NOTE:  
WRENCH WILL NOT GRIP PROPERLY  
UNLESS CORRECT INSERTS ARE USED.**

(see explanation on back)

**T-4 or T-7 PETOL™**  
**TEETH INSERTS MUST BE USED**  
**TO WORK 3-1/2" O.D.**  
(Instructions for correct installation inside)

PETOL™ DIAMOND POINT or  
TEETH INSERTS CAN BE USED  
TO WORK **ALL OTHER** O.D.s  
(Diamond Point Inserts require  
no special installation)

**WRENCH WILL NOT**  
**GRIP PROPERLY**  
**UNLESS CORRECT**  
**INSERTS ARE USED.**

**\* \* \* IMPORTANT \* \* \***  
**RIG WRENCH INSERT**  
**USE INFORMATION**

Form SHPG57 Rev. 08/06/21



---

P. O. Box 192 | Clifton, TX 76634  
phone 254.675.8651  
fax 254.675.6100  
sales@petol.com