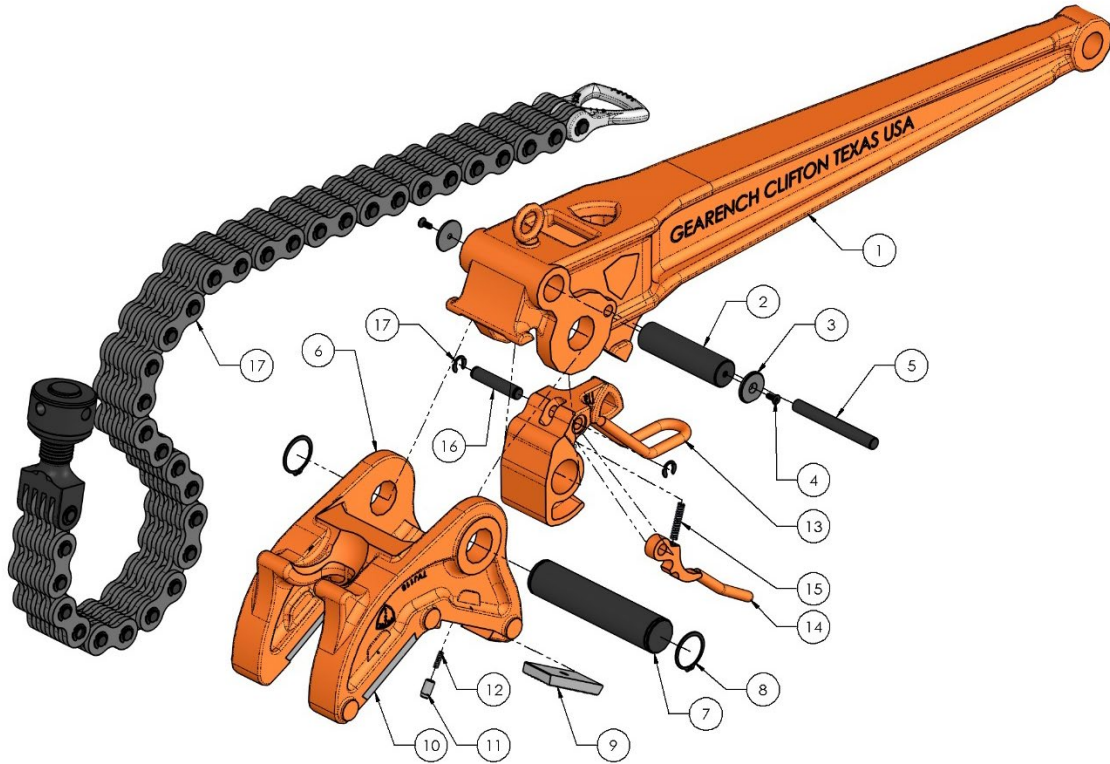


PETOL™ PULLDOWN VISETONG – VTDA118 Parts List



Item	Qty.	Part Number	Description
1	1	VTDH118	Handle
2	1	HP276	Handle lock pin
3	2	HP276-RP	Lock pin retaining plate
4	2	HXS090	Retaining plate screw
5	1	HP300	Pawl latch pin
6	1	TVJ118	Jaw
7	1	HP294	Handle – jaw pin with retaining rings
8	2	HXRR225	Jaw pin retaining ring only
9, 10	4	HI10D	Diamond point insert (standard)
9, 10		HI10K	Knurled insert (optional)
10		HI10B	Blank insert (optional)
11	4	HP904	Insert key
12	4	HS21	Insert key spring
13	1	TVP118V	Pawl
14	1	TVL118V	Pawl latch
15	1	HS01	Pawl latch spring
16	1	HP327	Pawl latch pin with klipring
17	2	HXKR075	Pawl latch pin klipring only
18	1	*	Chain assembly (see next page for parts)

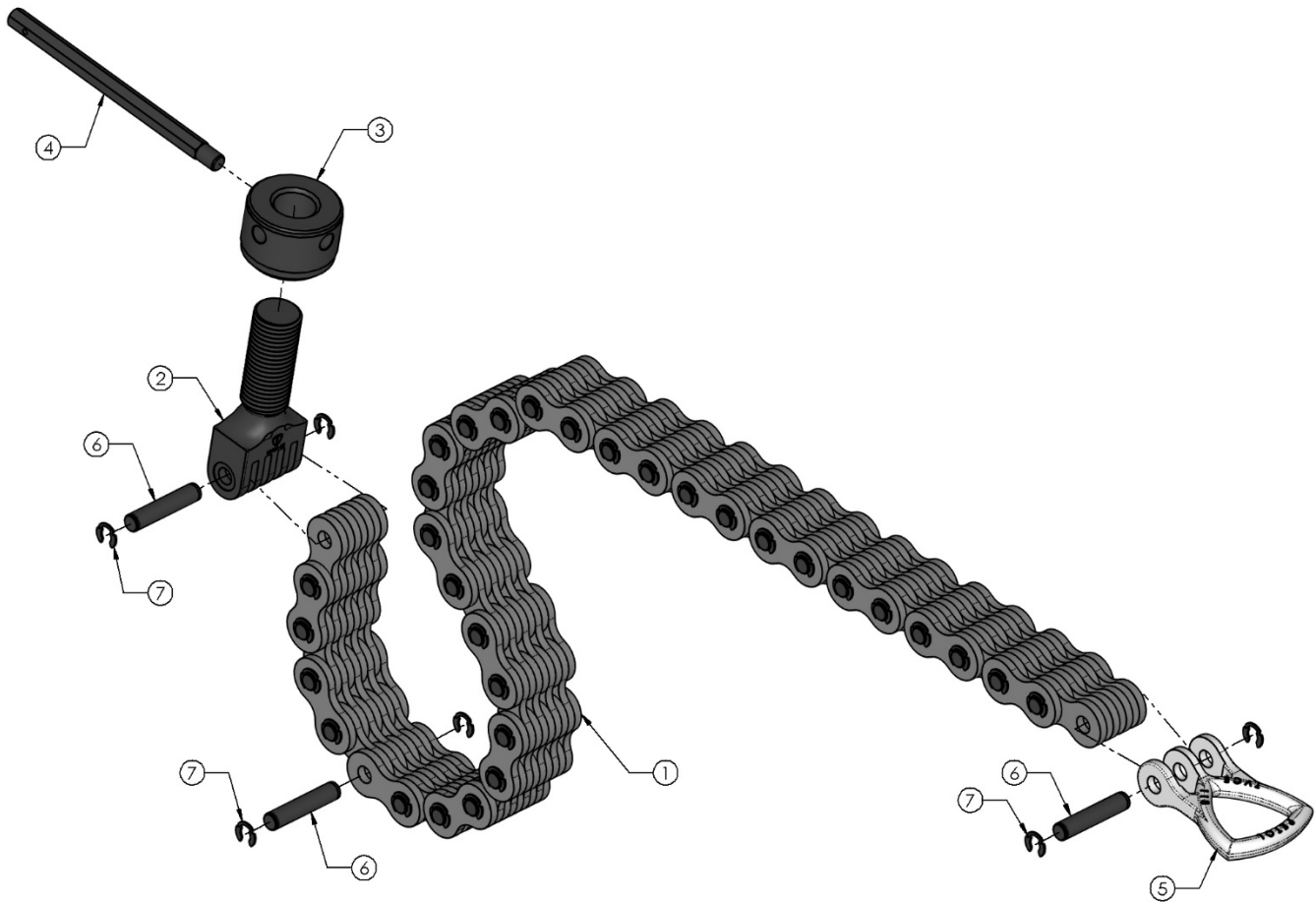
*See Chain Guide on product web page



4450 S. Hwy. 6 | P.O. Box 192
Clifton, TX 76634 | USA
www.PETOL.com

sales@petol.com | 254.675.8651

PETOL™ PULLDOWN VISETONG – VTDA118 Parts List



Item	Part No.	Description
1	181-45-02	Special chain only
1	181-45-03	Special chain only
1	181-45-04	Special chain only
1	181-45-05	Special chain only
1	181-45-07	Special chain only
2	HV05-45	Chain screw
3	HN03	Chain screw nut
4	HP954	Chain nut lever
5	HD4-45	Chain handle
6	HP327	Chain pin with kliprings
7	HXKR075	Chain pin klipring only



4450 S. Hwy. 6 | P.O. Box 192
 Clifton, TX 76634 | USA
www.PETOL.com

sales@petol.com | 254.675.8651